



BOARD OF COMMISSIONERS
Frank R. Rose, Chairman
Reggie Boykin, Secretary
Jay Levingston, Jr., Commissioner

NOTICE OF MEETING AND AGENDA

BOARD OF COMMISSIONERS FOR DRAINAGE DISTRICT NO. 3 JEFFERSON COUNTY, TEXAS

OCTOBER 18, 2023

7:30 A.M.

Notice is hereby given that the Board of Commissioners of Jefferson County Drainage District No. 3 will meet at 7:30 a.m., on the **OCTOBER 18, 2023**, at its regular meeting place in the District's Office, 24460 Hwy 124, Hamshire, Texas.

Said meeting will be a Regular meeting for the purpose of transacting the routine business of the District.

I. Call to order and take roll.

II. Announcement:

This Commissioner's meeting is being recorded for the purpose of transcribing minutes.

III. Public Comments

At this time, the Board will listen to comments from the public and others regarding both agenda action items and items that are not on the agenda. No action may be taken on non-agenda items. Public participation is limited to the designated open forum portion of a regular meeting. No presentation shall exceed a maximum of five minutes. Delegations of more than five persons shall appoint one person to present their views before the Board. COMPLAINTS AGAINST SPECIFIC EMPLOYEES OR INDIVIDUALS ARE NOT ALLOWED. THESE COMPLAINTS ARE COVERED BY A SEPARATE POLICY. Members of the public will not be allowed to offer comments on agenda action items when that item is on the floor for discussion unless requested to do so by the Chairman of the Board. This audience participation period is not the appropriate means for bringing complaints for which resolution is sought.

IV. Approve Minutes from SEPTEMBER 20, 2023 meeting.

V. Office Update

- A. Review and Accept Regular District Bills September 30 to October 15, 2023
- B. Review and Accept Monthly Financial Reports
- C. Review and Accept Monthly Insurance Summary
- D. Present Employee Paid Benefits presented during Open Enrollment by SETGEBP
- E. Consider, execute, and approve Budget Amendment for FY2023 Budget
- F. Consider, execute and approve Budget Amendment for FY2024 Budget
- G. Executive Session – *See footnote ¹*
- H. Consider and take action, if any, on items discussed in Executive Session

VI. Equipment/Project Update

- A. Equipment Update – Mini X overheating issues
 - 1. Consider, execute and approve going out for pricing through the Buy Board Program for a larger Mini-X
- B. Project Update
 - Completed Projects**
 - 1. N. Marenco – Sattler Rd – Set Crossing
 - 2. E. Toribio – Englin Rd – Set Crossing
 - 3. D. Phend – Hwy 73 – Cleaned Ditch
 - 4. H. Clubb – Ditch 124-1 - Wilber Rd Set Pipe
 - 5. H. Clubb – Old Big Hill Rd – Removed tree from the Bayou

**NOTICE OF MEETING AND AGENDA
OCTOBER 18, 2023 – 7:30 A.M.**

Projects in Progress

1. J. Levingston – Camellia Dr.
Will resume these projects once the Burn Ban has been lifted
2. R. Byerly –Ditch 318-1 - Englin Rd
3. V. Wright – Ditch 308 - Vincent Rd
4. B. Bundick – Vincent Rd

Upcoming Projects

1. B. Fischer – Wise Rd
2. N. Mitchell – E. Hamshire Rd
3. C. Rollins – Coon Rd
4. Labelle Properties Hwy 73 – Ditch 750-B

VII. New Business

A. Meeting Updates

1. Dunn Subdivision, October 11, 2023, 1:30pm – District Office
2. Dade Phelan Reception – October 19, 2023 5:30-7:30pm-Griffith Ranch

B. Board Comments

C. Set Next Meeting Date

¹ The District reserves the right to adjourn into executive session at any time during the course of this meeting as authorized by the Texas Open meetings Act, Texas Government Code §§ 551.071 (Consultation with Attorney), 551.072 (Deliberation about Real Property), 551.073 (Deliberation about Gifts and Donations), 551.074 (Personnel Matters), and any other provision under Texas law that permits a governmental body to discuss a matter in a closed executive session. Should any final action, decision, or final vote be required in the opinion of the Board with regard to any matter considered in such closed or executive meeting or session, then the final action, or final vote shall be either:

- (a) in the open meeting covered by the Notice upon the reconvening of the public meeting; or
- (b) at a subsequent public meeting of the Commissioners upon notice thereof; as the Commissioners shall determine.

I, the undersigned authority, do hereby certify that the above Notice of Meeting of the Board of Commissioners of Jefferson County Drainage District No. 3 is a true and correct copy of said Notice at a place convenient and readily accessible to the general public at all times in its administrative office at 24460 Hwy 124, Hamshire, Texas. This notice can also be viewed via the District's website at <http://jcdd3.org>. This notice remained so posted continuously for at least 72 hours immediately preceding the scheduled time of said Meeting. And further, that a true and correct copy of said notice was furnished to the County Clerk of Jefferson County for posting in the Jefferson County Courthouse.

The notice for this meeting was posted in compliance with the Texas Open Meeting Act on October 12, 2023.

JEFFERSON COUNTY DRAINAGE DISTRICT No. 3

By: 
Frank R. Rose, Chairman

I, the undersigned County Clerk of Jefferson County, do hereby certify that the above Notice of Meeting of the Jefferson County Drainage District No. 3 Board of Commissioners, is a true and correct copy of said Notice, and that I received and posted said Notice on the Courthouse Doors and the bulletin board at the Courthouse of Jefferson County, Texas, at a place readily accessible to the general public at all times on the _____ day of _____, 20____ at _____m. and said Notice remained so posted continuously for at least 72 hours preceding the scheduled time of said Meeting.

Dated this the _____ day of _____, 20_____.

By: _____
Jefferson County Clerk

Return File Copy To: Jefferson County Drainage District No. 3, P.O. Box 388, Hamshire, TX 77622



BOARD OF COMMISSIONERS
 Frank R. Rose, Chairman
 Reggie Boykin, Secretary
 Jay Levingston, Jr., Commissioner

**NOTICE OF MEETING AND AGENDA
 ADDENDUM**

**BOARD OF COMMISSIONERS FOR DRAINAGE DISTRICT NO. 3
 JEFFERSON COUNTY, TEXAS**

OCTOER 18, 2023

7:30 A.M.

Notice is hereby given that the Board of Commissioners of Jefferson County Drainage District No. 3 will meet at 7:30 a.m., on the **OCTOBER 18, 2023**, at its regular meeting place in the District’s Office, 24460 Hwy 124, Hamshire, Texas.

Said meeting will be a Regular meeting for the purpose of transacting the routine business of the District.

I. Call to order and take roll.

II. Announcement:

This Commissioner's meeting is being recorded for the purpose of transcribing minutes.

III. Public Comments

At this time, the Board will listen to comments from the public and others regarding both agenda action items and items that are not on the agenda. No action may be taken on non-agenda items. Public participation is limited to the designated open forum portion of a regular meeting. No presentation shall exceed a maximum of five minutes. Delegations of more than five persons shall appoint one person to present their views before the Board. COMPLAINTS AGAINST SPECIFIC EMPLOYEES OR INDIVIDUALS ARE NOT ALLOWED. THESE COMPLAINTS ARE COVERED BY A SEPARATE POLICY. Members of the public will not be allowed to offer comments on agenda action items when that item is on the floor for discussion unless requested to do so by the Chairman of the Board. This audience participation period is not the appropriate means for bringing complaints for which resolution is sought.

IV. OFFICE UPDATE

1. CONSIDER, EXECUTE AND APPROVE A RESOLUTION TO APPROVE THE 2023 CERTIFIED TAX ROLL

¹ The District reserves the right to adjourn into executive session at any time during the course of this meeting as authorized by the Texas Open meetings Act, Texas Government Code §§ 551.071 (Consultation with Attorney), 551.072 (Deliberation about Real Property), 551.073 (Deliberation about Gifts and Donations), 551.074 (Personnel Matters), and any other provision under Texas law that permits a governmental body to discuss a matter in a closed executive session. Should any final action, decision, or final vote be required in the opinion of the Board with regard to any matter considered in such closed or executive meeting or session, then the final action, or final vote shall be either:

- (a) in the open meeting covered by the Notice upon the reconvening of the public meeting; or
- (b) at a subsequent public meeting of the Commissioners upon notice thereof; as the Commissioners shall determine.

I, the undersigned authority, do hereby certify that the above Notice of Meeting of the Board of Commissioners of Jefferson County Drainage District No. 3 is a true and correct copy of said Notice at a place convenient and readily accessible to the general public at all times in its administrative office at 24460 Hwy 124, Hamshire, Texas. This notice can also be viewed via the District’s website at <http://jcdd3.org>. This notice remained so posted continuously for at least 72 hours immediately preceding the scheduled time of said Meeting. And further, that a true and correct copy of said notice was furnished to the County Clerk of Jefferson County for posting in the Jefferson County Courthouse.

The notice for this meeting was posted in compliance with the Texas Open Meeting Act on October 12, 2023.

JEFFERSON COUNTY DRAINAGE DISTRICT No. 3

By: 
 Frank R. Rose, Chairman

I, the undersigned County Clerk of Jefferson County, do hereby certify that the above Notice of Meeting of the Jefferson County Drainage District No. 3 Board of Commissioners, is a true and correct copy of said Notice, and that I received and posted said Notice on the Courthouse Doors and the bulletin board at the Courthouse of Jefferson County, Texas, at a place readily accessible to the general public at all times on the _____ day of _____, 20____ at _____.m. and said Notice remained so posted continuously for at least 72 hours preceding the scheduled time of said Meeting.

Dated this the _____ day of _____, 20_____.

By: _____

Jefferson County Clerk

Return File Copy To: Jefferson County Drainage District No. 3, P.O. Box 388, Hamshire, TX 77622

MINUTES OF MEETING

OCTOBER 18, 2023

7:30 A.M.

A meeting was held October 18, 2023, at 7:30 A.M. in the District's office located at 24460 Hwy 124, Hamshire, Texas. Present were Chairman Frank R. Rose, Reggie Boykin, Secretary and Commissioner Joel Levingston, Jr.

1. Meeting was called to order at 7:30 A.M. by Chairman Frank R. Rose.
2. He announced that this meeting was being recorded for the purpose of transcribing the minutes.
3. There were no Public Comments
4. The Minutes of September 20, 2023 meeting were approved on a motion made by Commissioner Levingston and seconded by Commissioner Boykin. All voted Aye.

5. Office Update -

- A. Commissioners reviewed and accepted the Districts' regular checks written September 30, 2023 to October 15, 2023. Motion was made by Commissioner Levingston, seconded by Commissioner Boykin. All voted Aye.
- B. Commissioners reviewed and accepted the monthly financial report presented by Shanna Verret which showed an ending fund balance of \$1,354,690.12 a decrease of \$57,148.81 from last month. Motion was made by Commissioner Boykin and seconded by Commissioner Levingston. All vote Aye
- C. Insurance summary from January to August 2023 was presented by Shanna Verret. The active employees have a profit of \$56,965.06 and retirees show a profit of \$12,581.86. Motion was made by Commissioner Levingston and seconded by Commissioner Boykin to accept the insurance summary as presented. All vote AYE.
- D. Shanna Verret presented the new employee paid insurance benefits as presented by Allstate for Critical Illness, Cancer Insurance and Hospital Indemnity Insurance. This is a voluntary plan that employees and Commissioners can be enrolled into at the time of Open Enrollment with SETGEBP.
- E. Upon a motion made by Commissioner Levingston and seconded by Commissioner Boykin to approve a budget amendment FY2023. The amendment would transfer the following amounts to the respective categories. All Voted AYE.

MOVE FROM		MOVE TO	
MISCELLANEOUS SERVICES		MISCELLANEOUS SERVICES	
5054- CONTRACT AERIAL SPRAYING	\$1200.00	5021-DUES & SUBSCRIPTIONS	\$1200.00
TOTAL	\$1200.00	TOTAL	\$1200.00

- F. Upon a motion made by Commissioner Levingston and seconded by Commissioner Boykin to approve a budget amendment FY2024. The amendment would transfer the following amounts to the respective categories. All Voted AYE.

MOVE FROM		MOVE TO	
SALARIES		SALARIES	
1015 – EXTRA HELP	\$2000.00	1048-EQUIPMENT OPERATOR & ASST	\$2000.00
FRINGE BENEFITS		FRINGE BENEFITS	
2007- RETIREMENT/WAGE CONT.	\$360.00	FICA EXPENSE	\$200.00
		EMPLOYEE'S RETIRMENT	\$160.00

- G. A motion was made by Commissioner Boykin and seconded by Commission Levingston to pass a resolution approving the 2023 Certified Tax Roll in the amount of \$294,479,318. All vote AYE
- H. There was no executive session.

MINUTES OF MEETING

OCTOBER 18, 2023

7:30 A.M.

6. Equipment/Project Update –

A. Equipment Update

1. After presenting the quotes from Komatsu and John Deere, the Commissioners approved General Manager Ruffus Lavergne to continue researching options to replace the Takeuchi TB260 Mini-X and getting valuations on a trade-in value. The purchase for a new larger mini-x will be done through the Buy Board Program.

B. Project Update –

1. General Manager Ruffus Lavergne informed the Board of a meeting with a landowner on Hamshire Rd about a new RV park installation. Landowner is still in the beginning stages of permitting and land clearing for this project.

2. Work Progress

Projects Completed –

- a) N. Marenco – Sattler Rd – Install Crossing
- b) E. Toribio – Englin Rd – Crossing set
- c) D. Phend – Hwy 73 – Cleaned ditch
- d) H. Clubb – Wilber Rd – Ditch 124-1 – Set pipe
- e) H. Clubb – Old Big Hill Rd – Removed tree from the bayou

Projects in Progress –

- a) J. Levingston – Camellia Dr
These projects will continue once the mini x is replaced
- b) R. Byerly – Englin Rd
- c) V. Wright – Vincent Rd
- d) B. Bundick – Vincent Rd

Upcoming Projects – These jobs will require the mini x to perform the clearing of brush and cleaning of the ditches

- a) B. Fischer – Wise Rd
- b) N. Mitchell – E. Hamshire Rd
- c) C. Rollins – Coon Rd

7. New Business

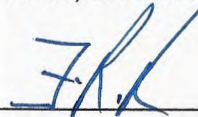
A. Meeting updates –

- 1. Dunn Subdivision, October 18, 2023, 9:30a.m., DD3 Office
- 2. Dade Phelan Reception – October 19, 2023, 5:30-7:30pm Griffith Ranch

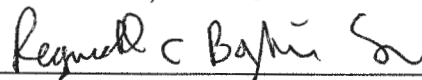
B. No Board Comments

C. The next regular meeting date is set for Wednesday, November 15, 2023 at 7:30a.m.

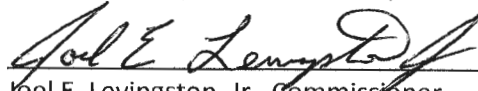
With no further business, meeting adjourned at 8:10 a.m.



Frank R. Rose, Chairman



Reginald C. Boykin, Sr., Secretary



Joel E. Levingston, Jr., Commissioner

Maintenance Operations Fund Expenditures

Date	Num	Name	Description	Credit
09/30/2023	12895	PAYROLL ACCOUNT	Salaires & Auto Allowance	\$ 14,156.50
09/30/2023	ACH	FICA	Payroll Tax Liability	\$ 2,811.14
09/30/2023	ACH	Texas County District Retirement	Employer Premium	\$ 1,693.86
09/30/2023	12896	Seabreeze Culvert	Metal Culvert	\$ 12,819.77
09/30/2023	12897	Tri-Con	Fuel	\$ 3,662.48
09/30/2023	12898	Strattons	Hardware	\$ 30.96
09/30/2023	12899	Cintas	Medical & Safety	\$ 48.41
09/30/2023	12900	Windstream	Telephone	\$ 329.64
09/30/2023	12901	Entergy	Electricity	\$ 318.70
09/30/2023	12902	Winnie Welding Work	Equipment Rental	\$ 960.00
	12903-12906	VOID		
09/30/2023	12907	AT & T	Telephone	\$ 106.07
09/30/2023	12908	Winnie Welding Work	Equipment Rental	\$ 480.00
		Total		\$ 37,417.53
10/15/2023	12909	Payroll Account	Salaires	\$ 12,198.00
10/15/2023	ACH	FICA	Payroll Tax Liability	\$ 2,590.78
10/15/2023	12910	Southeast Texas Govt Employee Benefits	Insurance	\$ 19,149.41
10/15/2023	12911	County Treasurer	Life Insurance	\$ 38.45
10/15/2023	12912	Seabreeze Culvert	Metal Culvert	\$ 846.80
10/15/2023	12913	West Jefferson Co. MWD	Water	\$ 30.11
10/15/2023	12914	Hamshire Waste	Waste Disposal	\$ 68.00
10/15/2023	12915	Jux Technologies	Dues & Subscriptions	\$ 18.00
10/15/2023	12916	Allison Getz	Dues & Subscriptions	\$ 7.50
10/15/2023	12917	Southeast Texas Regional Planning Commission	Dues & Subscriptions	\$ 150.00
		Total		\$ 35,097.05
		GRAND TOTAL		\$ 72,514.58

DRAINAGE DISTRICT No. 3
Profit & Loss Budget Performance
September 2023

	Sep 23	Budget	Oct '22 - Sep 23	YTD Budget	Annual Budget
Ordinary Income/Expense					
Income					
REVENUES					
101 - Current Taxes	2,318.51	62,660.67	765,578.41	751,928.00	751,928.00
102 - Delinquent Taxes	632.34	666.67	13,442.40	8,000.00	8,000.00
103 - Interest	5,669.58	83.33	67,505.36	1,000.00	1,000.00
104 - Rendition Penalty	0.00	0.00	0.00	0.00	0.00
106 - Miscellaneous	100.50	0.00	26,850.26	0.00	0.00
Total REVENUES	8,720.93	63,410.67	873,376.43	760,928.00	760,928.00
Total Income	8,720.93	63,410.67	873,376.43	760,928.00	760,928.00
Gross Profit	8,720.93	63,410.67	873,376.43	760,928.00	760,928.00
Expense					
1 - SALARIES					
1002 - Clerical	4,197.00	4,197.33	50,364.00	50,368.00	50,368.00
1009 - Dept Head / Foreman	5,416.00	6,395.83	68,075.00	76,750.00	76,750.00
1010 - Commissioners	900.00	900.00	10,800.00	10,800.00	10,800.00
1015 - Extra Help	0.00	3,166.67	0.00	38,000.00	38,000.00
1048 - Equipment Operators/Asst	13,650.00	13,955.58	136,623.50	167,467.00	167,467.00
Total 1 - SALARIES	24,163.00	28,615.41	265,862.50	343,385.00	343,385.00
2 - FRINGE BENEFITS					
2001 - FICA Expenses	1,800.64	2,538.50	22,566.47	30,462.00	30,462.00
2002 - Retirement	1,693.86	1,988.42	21,651.99	23,861.00	23,861.00
2003 - Insurance	18,851.32	23,227.25	236,351.48	278,727.00	278,727.00
2004 - Worker's Compensation	0.00	916.67	3,618.00	11,000.00	11,000.00
2006 - Auto Allowance	1,625.00	1,650.00	19,600.00	19,800.00	19,800.00
2007 - Retirement Wage Contg					
Vacation Pay	0.00		10,332.00		
2007 - Retirement Wage Contg - Other	0.00	2,916.67	14,597.39	35,000.00	35,000.00
Total 2007 - Retirement Wage Contg	0.00	2,916.67	24,929.39	35,000.00	35,000.00
2008 - Health Ins. Savings Acct	0.00	1,000.00	1,431.81	12,000.00	12,000.00
Total 2 - FRINGE BENEFITS	23,970.82	34,237.51	330,149.14	410,850.00	410,850.00

DRAINAGE DISTRICT No. 3
Profit & Loss Budget Performance
September 2023

	Sep 23	Budget	Oct '22 - Sep 23	YTD Budget	Annual Budget
3 - MATERIALS & SUPPLIES					
3006 Batteries	0.00	250.00	156.98	3,000.00	3,000.00
3008 Bolts Nuts Nails & Screws	0.00	83.33	51.99	1,000.00	1,000.00
3009 Antifreeze & Coolant	0.00	166.67	0.00	2,000.00	2,000.00
3010 Books & Printed Matter	429.50	416.67	2,192.88	5,000.00	5,000.00
3012 Prints, Maps & Etc	0.00	83.33	0.00	1,000.00	1,000.00
3014 Chains & Hooks	0.00	66.67	0.00	800.00	800.00
3016 Chemicals Weed Control	0.00	2,166.67	3,988.25	26,000.00	26,000.00
3018 Cleaners & Solvents	0.00	125.00	0.00	1,500.00	1,500.00
3019 - Additives & Lubricants	0.00	208.33	0.00	2,500.00	2,500.00
3020 Metal Culvert Pipe	9,488.32	4,166.67	14,311.02	50,000.00	50,000.00
3022 Copying Supplies	0.00	166.67	410.38	2,000.00	2,000.00
3027 Electrical Supplies	0.00	250.00	0.00	3,000.00	3,000.00
3030 Fencing Material	0.00	541.67	746.10	6,500.00	6,500.00
3032 Concrete, Sand, Aggregat	0.00	833.33	3,978.45	10,000.00	10,000.00
3034 Diesel Fuel	3,662.48	4,166.67	18,064.14	50,000.00	50,000.00
3036 Diesel Fuel ON ROAD	0.00	1,666.67	4,787.28	20,000.00	20,000.00
3037 Gasoline	0.00	583.33	0.00	7,000.00	7,000.00
3040 Hardware - Misc	159.92	250.00	754.47	3,000.00	3,000.00
3041 Hose & Fittings & Filters	0.00	833.33	831.90	10,000.00	10,000.00
3048 Lumber, Timbers, Rope	0.00	208.33	395.90	2,500.00	2,500.00
3050 Medical & Safety	48.41	250.00	2,549.79	3,000.00	3,000.00
3051 Motor Oil & Grease	0.00	833.33	0.00	10,000.00	10,000.00
3056 Paint & Brushes	0.00	83.33	0.00	1,000.00	1,000.00
3072 Rope Wire Manila & Burlap	0.00	66.67	0.00	800.00	800.00
3073 Spare Parts, Heavy Equip	0.00	83.33	0.00	1,000.00	1,000.00
3077 Computer Supplies	0.00	208.33	1,957.56	2,500.00	2,500.00
3078 Office Supplies	0.00	208.33	1,675.25	2,500.00	2,500.00
3080 Steel Angle Iron Rods, Etc	0.00	125.00	0.00	1,500.00	1,500.00
3083 Tires & Tubes	268.20	750.00	2,156.49	9,000.00	9,000.00
3084 Minor Equipment	0.00	833.33	1,993.92	10,000.00	10,000.00
3095 Welding Supplies	0.00	166.67	0.00	2,000.00	2,000.00
3099 Sundry	236.27	166.67	1,366.83	2,000.00	2,000.00
Total 3 - MATERIALS & SUPPLIES	14,293.10	21,008.33	62,369.58	252,100.00	252,100.00
4 - MAINTENANCE & UTILITES					
4001 Cooling and Heating	0.00	83.33	0.00	1,000.00	1,000.00
4009 Building & Structure	0.00	291.67	890.98	3,500.00	3,500.00
4010 Tractors & Mowers	0.00	1,041.67	1,538.95	12,500.00	12,500.00
4011 Equipment Repairs	0.00	4,166.67	11,331.95	50,000.00	50,000.00
4013 Marine Craft	0.00	166.67	0.00	2,000.00	2,000.00
4014 - Auto - Truck	0.00	250.00	547.46	3,000.00	3,000.00
4015 Communication Equip	0.00	125.00	306.66	1,500.00	1,500.00
4020 Miscellaneous	0.00	41.67	0.00	500.00	500.00
4030 Tools	109.98	250.00	1,952.60	3,000.00	3,000.00
4051 Freight	0.00	25.00	0.00	300.00	300.00

DRAINAGE DISTRICT No. 3
Profit & Loss Budget Performance
September 2023

	Sep 23	Budget	Oct '22 - Sep 23	YTD Budget	Annual Budget
4052 Postage	0.00	41.67	396.09	500.00	500.00
4053 Natural Gas/Butane	96.95	308.33	2,348.78	3,700.00	3,700.00
4054 Telephone	435.71	500.00	5,359.90	6,000.00	6,000.00
4056 Electricity	318.70	500.00	3,955.67	6,000.00	6,000.00
4057 Water & Sewer	39.49	166.67	376.25	2,000.00	2,000.00
4058 Garbage Waste Disposal	68.00	100.00	816.00	1,200.00	1,200.00
Total 4 - MAINTENANCE & UTILITES	1,068.83	8,058.35	29,821.29	96,700.00	96,700.00
5 - MISCELLANEOUS SERVICES					
5009 Professional Services	0.00	833.33	3,511.47	10,000.00	10,000.00
5021 Dues & Subscriptions	470.00	208.33	3,614.40	2,500.00	2,500.00
5027 Engineering Fees	0.00	833.33	0.00	10,000.00	10,000.00
5028 Assessor/Collector Fees	0.00	166.67	0.00	2,000.00	2,000.00
5029 Attorney Fees	0.00	833.33	1,000.00	10,000.00	10,000.00
5031 Filing, Records & Photos	0.00	8.33	0.00	100.00	100.00
5032 Accounting Services	0.00	41.67	0.00	500.00	500.00
5036 Treasurer Commision	0.00	133.33	1,462.86	1,600.00	1,600.00
5038 Supplemenal Tax Refunds	0.00	166.67	0.00	2,000.00	2,000.00
5040 Insurance Autos & Trucks	0.00	491.66	4,455.00	5,900.00	5,900.00
5041 Insurance Property	0.00	425.00	5,059.00	5,100.00	5,100.00
5043 Insurance General Liab	0.00	166.67	733.00	2,000.00	2,000.00
5044 Insurance Official Liab	0.00	166.67	1,326.00	2,000.00	2,000.00
5045 Bonds Surety & Notary	0.00	83.33	668.00	1,000.00	1,000.00
5053 Equipment Rental	1,440.00	1,416.67	7,030.55	17,000.00	17,000.00
5054 Contract Aerial Spraying	0.00	1,333.33	0.00	16,000.00	16,000.00
5055 Contract Spraying	0.00	1,450.00	0.00	17,400.00	17,400.00
5062 Travel & Meeting Expense	0.00	66.67	0.00	800.00	800.00
5064 Training & Education	0.00	125.00	214.19	1,500.00	1,500.00
5074 Independent Auditor Fees	0.00	1,750.00	20,575.00	21,000.00	21,000.00
5095 Bank Service Charges	0.00	250.00	0.00	3,000.00	3,000.00
5098 Appraisal District Fees	1,631.07	750.00	7,693.77	9,000.00	9,000.00
5099 Sundry	0.00	83.33	275.00	1,000.00	1,000.00
Total 5 - MISCELLANEOUS SERVICES	3,541.07	11,783.32	57,618.24	141,400.00	141,400.00
6 - CAPITAL OUTLAY					
6001 Office Machines	0.00	375.00	1,199.00	4,500.00	4,500.00
6002 Excavation Equipment	0.00	13,750.00	0.00	165,000.00	165,000.00
6011 Machinery & Equipment	0.00	9,166.66	109,164.91	110,000.00	110,000.00
6014 Building & Structures	0.00	3,416.67	17,401.00	41,000.00	41,000.00
6022 Furniture & Fixtures	0.00	416.67	0.00	5,000.00	5,000.00
6042 Auto Truck & Trailer	0.00	4,166.67	0.00	50,000.00	50,000.00
6045 Land/ROW Acquisitions	0.00	416.67	0.00	5,000.00	5,000.00
Total 6 - CAPITAL OUTLAY	0.00	31,708.34	127,764.91	380,500.00	380,500.00

DRAINAGE DISTRICT No. 3
Profit & Loss Budget Performance
September 2023

	Sep 23	Budget	Oct '22 - Sep 23	YTD Budget	Annual Budget
Reconciliation Discrepancies	0.00	0.00	335.35	0.00	0.00
Total Expense	67,036.82	135,411.26	873,921.01	1,624,935.00	1,624,935.00
Net Ordinary Income	-58,315.89	-72,000.59	-544.58	-864,007.00	-864,007.00
Other Income/Expense					
Other Expense					
Transfer Account	0.00	0.00	-13,983.50	0.00	0.00
Total Other Expense	0.00	0.00	-13,983.50	0.00	0.00
Net Other Income	0.00	0.00	13,983.50	0.00	0.00
Net Income	-58,315.89	-72,000.59	13,438.92	-864,007.00	-864,007.00

DRAINAGE DISTRICT No. 3
Statement of Cash Flows
September 2023

	<u>Sep 23</u>
OPERATING ACTIVITIES	
Net Income	-58,315.89
Adjustments to reconcile Net Income to net cash provided by operations:	
EMPLOYEE PAID EXPENSES:202-0400 Employee Insurance	<u>806.00</u>
Net cash provided by Operating Activities	<u>-57,509.89</u>
Net cash increase for period	-57,509.89
Cash at beginning of period	<u>1,412,200.01</u>
Cash at end of period	<u><u>1,354,690.12</u></u>

**DRAINAGE DISTRICT NO. 3
Jefferson County, Texas**

**2022-23 BUDGET AMENDMENTS
OCTOBER 18, 2023**

EXPENSES MOVE FROM	AMOUNT	EXPENSES MOVE TO	AMOUNT
MISCELLANEOUS SERVICE		MISCELLANEOUS SERVICE	
5054 - CONTRACT AERIAL SPRAYING	1,200.00	5021 - DUES & SUBSCRIPTIONS	1,200.00
TOTAL	1,200.00	TOTAL	\$1,200.00

**DRAINAGE DISTRICT NO. 3
Jefferson County, Texas**

**2023-24 BUDGET AMENDMENTS
OCTOBER 18, 2023**

EXPENSES MOVE FROM	AMOUNT	EXPENSES MOVE TO	AMOUNT
SALARIES		MISCELLANEOUS SERVICE	
1015 EXTRA HELP	2,000.00	1048 EQUIPMENT OPERATOR & ASST	2,000.00
FRINGE BENEFITS		FRINGE BENEFITS	
RETIREMENT/WAGE CONTINGENCY	360.00	FICA EXPENSES	200.00
		EMPLOYEE'S RETIREMENT	160.00
TOTAL	2,360.00	TOTAL	\$2,360.00



TERRY WUENSCHEL, PCC
INTERIM TAX ASSESSOR-COLLECTOR
JEFFERSON COUNTY, TEXAS

October 12, 2023

Ms. Shanna Verret
Drainage District #3
P.O. Box 388
Hamshire, TX 77622

Dear Ms. Verret:

Attached is the **2023 Certified Tax Roll Summary**. Pursuant to the Texas Property Tax Code, Section 26.09, this certified tax roll summary should be approved by your Board of Directors at your next board meeting. After the approval, please return the resolution for retention in the Tax Office.

If you should have any questions or require further information, please feel free to call.

Sincerely,

A handwritten signature in blue ink that reads "Terry Wuenschel".

TERRY WUENSCHEL, PCC
Interim Assessor-Collector of Taxes
Jefferson County, Texas

TW:ce

Attachment

cc: Rufus Lavergne
drainage3@cdd3.org

grandrop.ltr

MAILING ADDRESS • P.O. Box 2112 • BEAUMONT, TEXAS 77704-2112
PHYSICAL ADDRESS • 1149 PEARL, BEAUMONT, TEXAS 77701
PHONE: 409-835-8516 • FAX: 409-835-8589

Jurisdiction: **47 DRAINAGE DISTRICT #3**

Total Parcels:	3,453	Tax Rate:	0.2887510		
Market Value:	445,820,594	State Hom:	0	Opt Hom:	0.2000000
		State O65:	0	Opt O65:	40,000
		Disabled:	40,000	Opt Disabled:	0

AG Exclusion Count:	860	AG Exclusion Amt:	88,976,088
Timber Exclusion Count:	10	Timber Exclusion Amt:	1,367,734
HS Capped Count:	409	HS Capped Amt:	15,210,669
Assessed Value:	340,266,103		

Prorated-Exxv Count/Amt:	43	2,291,788	Pro Misc Exempts Count/Amt:	2	15,791
100% Exempt Vet Count/Amt:	10	1,550,988	Hb366 Count/Amt:	33	23,006
Pro Youth Associations Count/Amt:	1	54,327	Freeport Count/Amt:	2	8,130,050
Immed Residential Homestead Count/Amt:	1	65,373	Pollution Control Count/Amt:	3	174,280

State Homestead Count:	0	State Homestead Amt:	0
Local Homestead Count:	738	Local Homestead Amt:	23,235,577
State Over 65 Count:	0	State Over 65 Amt:	0
Local Over 65 Count:	255	Local Over 65 Amt:	9,163,258
Surviving Spouse Count:	1	Surviving Spouse Amt:	28,990
State Disabled Count:	0	State Disabled Amt:	0
Local Disabled Count:	27	Local Disabled Amt:	843,357
Total VET Count:	21	Total VET Amt:	210,000
*VET Surviving Spouse Count:	1	*VET Surviving Spouse Amt:	12,000
*included in the Total VET Count/Amt			

Partial Exempt Values:	33,481,182		
Taxable Value:	294,479,318		
Total Levy Amt:	850,556.77		
Late AG Penalty Count:	4	Late AG Penalty Amt:	62.54
Late Rendition Penalty Count:	14	Late Rendition Penalty Amt:	182.50
Frozen Account Count:	0		
Frozen Homesite Value:	0		
Frozen Taxable Value:	0		
Unfrozen Levy Amt:	0.00		
Frozen Levy Amt:	0.00		
Frozen Levy Loss Amt:	0.00		
Total Non-Exempt Parcel Count:	3,453		

Quote Summary

Prepared For:

JEFFERSON COUNTY DRAINAGE DISTRICT NO.3
 24460 HIGHWAY 124
 HAMSHIRE, TX 77622
 Business: 409-243-3495

Prepared By:

Gerard Solano
 Shoppa's Farm Supply, Inc.
 9135 College
 Beaumont, TX 77707
 Phone: 409-842-1128
 Mobile: 979-253-8396
 gsolano@shoppas.inc

Contract: December 1, 2022 - November 30, 2023
 Buy Board Contract 685-22

Quote Id: 29744139
Created On: 05 October 2023
Last Modified On: 06 October 2023
Expiration Date: 30 October 2023

Equipment Summary	Selling Price	Qty	Extended
JOHN DEERE 60 P-Tier Compact Excavator	\$ 92,741.48 X	1 =	\$ 92,741.48
24" HD BUCKET 7.5 CUFT TK TEETH	\$ 0.00 X	1 =	\$ 0.00
Equipment Total			\$ 92,741.48

Quote Summary

Equipment Total	\$ 92,741.48
SubTotal	\$ 92,741.48
Est. Service Agreement Tax	\$ 0.00
Total	\$ 92,741.48
Down Payment	(0.00)
Rental Applied	(0.00)
Balance Due	\$ 92,741.48

Salesperson : X _____

Accepted By : X _____

Quote Id: 29744139

Customer: JEFFERSON COUNTY DRAINAGE DISTRICT NO.3

JOHN DEERE 60 P-Tier Compact Excavator

Hours: 0
 Stock Number: 549836

Code	Description	Qty
0190FF	JOHN DEERE 60 P TIER EXCAVATOR GEN A	1

Standard Options - Per Unit

0202	DESTINATION CODE - US	1
0259	ENGLISH CUSTOMER DELIVERY OM	1
0408	CFG8 CAB RBRTRK LNGARM AB	1

Dealer Attachments

BYT10991	24" HD BUCKET 7.5 CUFT TK TEETH	1
001	SETUP	1
002	FREIGHT	1

24" HD BUCKET 7.5 CUFT TK TEETH

Equipment Notes:
 Hours: 0
 Stock Number: 545403

Code	Description	Qty
BYT10991	JOHN DEERE 24" HD BKT 7.5 CUFT TK TEETH	1

Other Charges

	Freight	1
	FRT DISC	1

60 **P**

Compact Excavator



JOHN DEERE





SMALLER MACHINE, BIGGER POTENTIAL

When you need more from your compact excavator, the John Deere 60 P-Tier might be your “one and done.” This small-but-mighty muscle specializes in making work in close quarters seem like no big deal. Loaded with customer-inspired ideas like significant lift and reach, precise control, and an amazingly comfortable cab, digging, excavating, and loading tasks become big possibilities. Plus it runs quiet, too. Jobsite-proven standard and optional advantages including your choice of tracks and John Deere attachments push the 60 P-Tier to make a sizable impact on the potential — and profitability — of your operation.

60 P-TIER COMPACT EXCAVATOR

FEATURES



Comfort, quiet, and control

Spacious operator station has a wide entryway and backhoe- to excavator-style controls. Swing boom and foldable travel pedals are positioned for efficient operation and comfortable foot room. Noise-reducing aftertreatment device and isochronous high-idle speed help keep things noticeably quiet. Rubber cab mounts isolate the operator from noise and vibration.

Work, run, repeat

Reduced-tail-swing design maximizes maneuverability and performance in cramped places and tight spaces. Compact stature permits easy transport between jobsites, perfect for “dig-and-go” projects.

Resource management

Auto-idle automatically reduces engine speed when hydraulics aren't in use. Auto shutdown conserves precious fuel. Power/economy modes optimize power for digging applications, further improving fuel efficiency.

Get back to it

Standard backfill blade enables the 60 P-Tier to grade and fill, boosting machine versatility and stability when using attachments or working on uneven terrain.

Swing for the fences

Put the 60 P-Tier's independent-swing boom and 360-degree rotation to work taming difficult tasks. Impressive lift height and reach ease truck loading.



**OPT FOR CANOPY
TO SUIT CLIMATE &
WORK CONDITIONS**

Handy hydraulics

Standard quick-coupler-equipped, boom-mounted auxiliary hydraulic lines simplify attachment hookup. Return-flow selector valve accommodates hydraulic-driven attachments that operate either one or two ways. Wedge-style coupler enables swift changes of a wide range of buckets and attachments, such as hydraulic hammers, plate compactors, and augers.

Safe travels

No operator activation is required for high-speed travel. Track speeds automatically slow to low whenever a heavier load is encountered, then return to high when the load normalizes.

Designed for durability

Heavy-duty side shields deflect material and impacts, protecting boom/blade cylinders and drive motors. Single-pin swing-post increases boom rigidity. Reinforced D-channel side frames and heavy-duty X-frame help extend wear life.

Maintenance made easy

Hinged door provides wide-open access to the side-by-side oil cooler and radiator. Operator station tilts forward 50 degrees to reach the swing motor, hydraulic control valve, engine starter motor, and alternator. Extended service intervals allow the machine to work longer before maintenance is needed.

Make the most of your investment

Already own some John Deere attachments? Many models including buckets, hydraulic hammers, and augers also work on other compact machines so you can redefine fleet utilization — and your bottom line.



60 P-TIER COMPACT EXCAVATOR



MATCH YOUR TRACK TO THE APPLICATION

The choice is yours

Rubber tracks traverse virtually any terrain, including paved surfaces. Optional rubber grousers combine work-anywhere flexibility with steel-track serviceability. Steel tracks and steel tracks with rubber pads are also available.

Connected machines

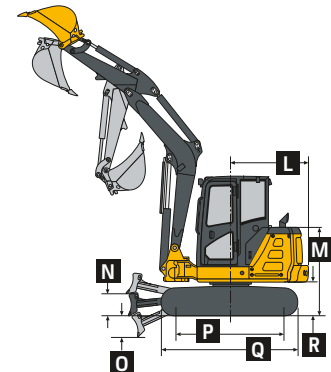
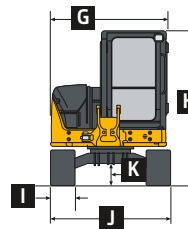
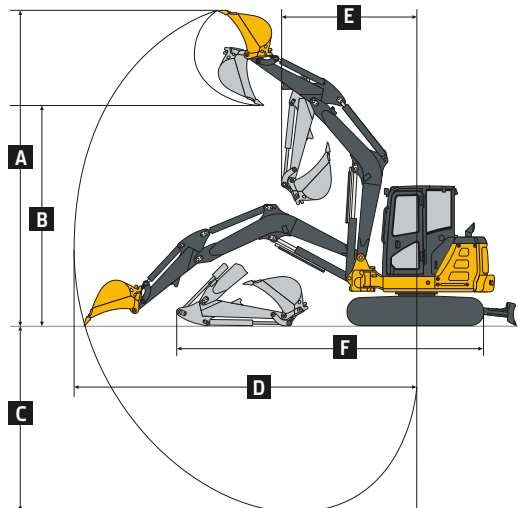
John Deere construction equipment comes with in-base connectivity — free from subscriptions or annual renewals. Analyze critical machine data, track utilization, review diagnostic alerts, and more from **the John Deere Operations Center™**. The Operations Center also enables **John Deere Connected Support™**, which uses data from thousands of connected machines to proactively address issues before they arise. Your dealer can also remotely monitor machine health, diagnose problems, and even update machine software without a trip to the jobsite.*

*Availability varies by region and product. Options not available in every country.

While general information, pictures, and descriptions are provided, some illustrations and text may include product options and accessories NOT AVAILABLE in all regions, and in some countries products and accessories may require modifications or additions to ensure compliance with the local regulations of those countries.

Engine		60 P-TIER						
Manufacturer and Model	Yanmar 4TNV98C-WHB	Displacement	3.32 L (203 cu. in.)					
Non-Road Emission Standard	EPA Final Tier 4/EU Stage IV	Net Rated Power (ISO 9249)	39.6 kW (53 hp) at 2,000 rpm					
Powertrain								
2-speed propel with automatic shift; each track independently driven by hydrostatic axial-piston motor connected to 2-stage planetary gear-reduction box								
Maximum Travel Speed	Slow: 2.9 km/h (1.8 mph) / Fast: 4.8 km/h (3.0 mph)							
Hydraulics								
Open-center, pilot-operated		Controls	2 hydraulic pilot-operated controls for boom, arm, bucket, swing, boom swing, travel, and auxiliary functions					
Main Pumps	1 variable-displacement pump							
Maximum Rated Flow	144 L/m (38.0 gpm)							
Auxiliary Maximum Rated Flow	91.5 L/m (24.2 gpm)							
Electrical								
Alternator Rating	55 amp							
Work Lights	2 halogen: 1 mounted on operator's station and 1 mounted on boom							
Undercarriage								
Track Shoe Width, Standard Configuration	400 mm (16 in.)							
Ground Pressure	1500-mm (4 ft. 11 in.) Standard Arm		1850-mm (6 ft. 1 in.) Long Arm (add counterweight)					
	With Canopy	With Cab	With Canopy / With Cab					
With 400-mm (16 in.) Rubber Track	34 kPa (4.9 psi)	35 kPa (5.1 psi)	36 kPa (5.2 psi) / 36 kPa (5.2 psi)					
Upperstructure								
Swing Speed, Right/Left	9.5 rpm							
Maximum Boom Swing Angle								
Left	80 deg.							
Right	60 deg.							
Swing Brake	Spring applied, hydraulically released, automatic, disc type							
Serviceability								
Refill Capacities		Refill Capacities (continued)						
Fuel Tank	120 L (31.7 gal.)	Engine Oil With Filter	11.2 L (3 gal.)					
Engine Coolant	7.7 L (2 gal.)	Hydraulic Tank	80 L (21.1 gal.)					
Operating Weights								
	1500-mm (4 ft. 11 in.) Standard Arm and 400-mm (12 in.) Track				1850-mm (6 ft. 1 in.) Long Arm and 400-mm (12 in.) Track			
	With Canopy	With Canopy	With Cab	With Cab	With Canopy	With Canopy	With Cab	With Cab
	Rubber	Steel	Rubber	Steel	Rubber	Steel	Rubber	Steel
With 745-kg (1,642 lb.) Counterweight;	6010 kg	6110 kg	6180 kg	6280 kg	6040 kg	6140 kg	6210 kg	6310 kg
762-mm (30 in.), 204-kg (450 lb.) Bucket;	(13,250 lb.)	(13,470 lb.)	(13,620 lb.)	(13,850 lb.)	(13,320 lb.)	(13,540 lb.)	(13,690 lb.)	(13,910 lb.)
Full Fuel Tank; and 75-kg (165 lb.) Operator								
Angle Blade	458 kg (1,010 lb.)		458 kg (1,010 lb.)		458 kg (1,010 lb.)		458 kg (1,010 lb.)	
Counterweight								
Standard (including hardware)	745 kg (1,642 lb.)		745 kg (1,642 lb.)		745 kg (1,642 lb.)		745 kg (1,642 lb.)	
Additional	270 kg (595 lb.)		270 kg (595 lb.)		270 kg (595 lb.)		270 kg (595 lb.)	
Operating Dimensions								
	1500-mm (4 ft. 11 in.) Standard Arm		1850-mm (6 ft. 1 in.) Long Arm		1500-mm (4 ft. 11 in.) Standard Arm		1850-mm (6 ft. 1 in.) Long Arm	
A Maximum Cutting Height	5.96 m (19 ft. 7 in.)		6.19 m (20 ft. 4 in.)		F Transport Length		5.76 m (18 ft. 11 in.) / 5.79 m (19 ft. 0 in.)	
B Maximum Dumping Height	4.17 m (13 ft. 8 in.)		4.41 m (14 ft. 6 in.)		Digging Force (ISO), HCM Bucket			
C Maximum Digging Depth	3.77 m (12 ft. 4 in.)		4.12 m (13 ft. 6 in.)		(788.1-mm [31 in.] tip radius)			
D Maximum Digging Reach	6.23 m (20 ft. 5 in.)		6.56 m (21 ft. 6 in.)		Arm		31.1 kN (6,990 lb.) / 27.0 kN (6,060 lb.)	
E Minimum Boom Swing Radius	2.45 m (8 ft. 0 in.)		2.54 m (8 ft. 4 in.)*		Bucket		41.1 kN (9,240 lb.) / 41.1 kN (9,240 lb.)	

*With additional counterweight.



While general information, pictures, and descriptions are provided, some illustrations and text may include product options and accessories NOT AVAILABLE in all regions, and in some countries products and accessories may require modifications or additions to ensure compliance with the local regulations of those countries.

Machine Dimensions <i>(see line art at bottom right of page 6)</i>		60 P-TIER			
G	Upperstructure Width	1.93 m (6 ft. 4 in.)	N	Maximum Blade Lift Above Ground	450 mm (18 in.)
H	Overall Height (canopy or cab)	2.54 m (8 ft. 4 in.)	O	Maximum Blade Drop Below Ground	390 mm (15 in.)
I	Track Width	400 mm (16 in.)		Blade	
J	Undercarriage Width	2.00 m (6 ft. 7 in.)		Width	2.00 m (6 ft. 7 in.)
K	Ground Clearance	325 mm (13 in.)		Height	420 mm (17 in.)
L	Tail Swing Radius		P	Sprocket Center to Idler Center	1.99 m (6 ft. 6 in.)
	With Standard Counterweight	1.30 m (4 ft. 3 in.)	Q	Undercarriage Length	2.50 m (8 ft. 2 in.)
	With Additional Counterweight	1.41 m (4 ft. 8 in.)	R	Counterweight Clearance	620 mm (24 in.)
M	Engine Cover Height	1.60 m (5 ft. 3 in.)			

Lift Capacities
Boldface type indicates hydraulically limited capacity; lightface type indicates stability-limited capacities, in kg (lb.). All lift capacities are based on ISO 10567 (with power boost). Lifting measurement from center of arm to bucket pin, with 400-mm (16 in.) track shoe and blade on ground; and situated on firm, level, uniform supporting surface. Total load includes weight of cables, hook, etc. Figures do not exceed 87 percent of hydraulic capacities or 75 percent of weight needed to tip machine.

Ground Level at 3.0-m (9 ft. 10 in.) Radius	Rubber Track and Standard Counterweight		Steel Track and Standard Counterweight		Rubber Track and Extra Counterweight		Steel Track and Extra Counterweight	
	Over Front	Over Side	Over Front	Over Side	Over Front	Over Side	Over Front	Over Side
1500-mm (4 ft. 11 in.) Standard Arm and Cab	3880 kg (8,550 lb.)	1500 kg (3,310 lb.)	3880 kg (8,550 lb.)	1520 kg (3,350 lb.)	3880 kg (8,550 lb.)	1690 kg (3,730 lb.)	3880 kg (8,550 lb.)	1720 kg (3,790 lb.)
1850-mm (6 ft. 1 in.) Long Arm and Cab	3810 kg (8,400 lb.)	1480 kg (3,260 lb.)	3810 kg (8,400 lb.)	1500 kg (3,310 lb.)	3810 kg (8,400 lb.)	1680 kg (3,700 lb.)	3810 kg (8,400 lb.)	1700 kg (3,750 lb.)
1500-mm (4 ft. 11 in.) Standard Arm and Canopy	3880 kg (8,550 lb.)	1420 kg (3,130 lb.)	3880 kg (8,550 lb.)	1420 kg (3,130 lb.)	3880 kg (8,550 lb.)	1620 kg (3,570 lb.)	3880 kg (8,550 lb.)	1620 kg (3,570 lb.)
1850-mm (6 ft. 1 in.) Long Arm and Canopy	3820 kg (8,420 lb.)	1400 kg (3,090 lb.)	3820 kg (8,420 lb.)	1400 kg (3,090 lb.)	3820 kg (8,420 lb.)	1600 kg (3,530 lb.)	3820 kg (8,420 lb.)	1610 kg (3,550 lb.)

Additional equipment

Key: ● Standard ▲ Optional or special
 See your John Deere dealer for further information.

- 60 P Engine**
- Meets EPA Final Tier 4/EU Stage IV emissions
 - Auto shutdown
 - Engine coolant to -37 deg. C (-34 deg. F)
 - Engine preheater
 - Fan guard
 - Fuel/water separator
 - Full-flow oil filter
 - Isolation mounted
 - Key start switch with electric fuel shutoff
 - Single dry-type air filter
- Hydraulic System**
- Auto-idle
 - Auxiliary function right-hand pilot-lever control
 - Auxiliary hydraulic lines with quick-couplers to end of boom
 - Auxiliary return-flow selector valve
 - Axial-piston swing motor
 - Boom-swing foot control
 - Excavator-to-backhoe control pattern change valve
 - Closed center load sensing with 1 variable-displacement pump
 - Hydraulic pilot-operated controls for boom, arm, bucket, swing, boom swing, blade, travel, and auxiliary functions
 - Wet-disc swing brake
- Undercarriage**
- Planetary final drive
 - Propel motor shield
 - 2-speed axial-piston propel motors
 - Rubber track, 400 mm (16 in.)

- 60 P Undercarriage (continued)**
- ▲ Steel track, 400 mm (16 in.) with triple semi-grousers
 - ▲ Rubber crawler pad, 400 mm (16 in.)
- Upperstructure**
- 360-deg. rotation
 - Counterweight, 745 kg (1,642 lb.)
 - Hinged service-access doors
 - Toolbox
 - ▲ ROPS/TOPS/FOPS (canopy)
 - ROPS/TOPS/FOPS (cab) with air conditioning and heater
 - Vandal protection for service doors, fuel cap, and toolbox
 - Reduced-tail-swing configuration
- Front Attachments**
- Arm, 1500 mm (4 ft. 11 in.)
 - ▲ Long arm, 1850 mm (6 ft. 1 in.), includes additional 270-kg (595 lb.) counterweight
 - Articulation hose shield
 - Backfill blade, 2.00 m (6 ft. 7 in.)
 - ▲ Hydraulic angle backfill blade
 - Boom, 2.965 m (9 ft. 9 in.)
 - Mechanical quick-coupler
 - ▲ Augers: Planetary / Chain drive / Bits / Bit adapters
 - ▲ Clamp
 - ▲ Hammers: Points / Tools
 - ▲ Quick-coupler buckets: Bucket teeth / Ditching / Heavy-duty
- Operator's Station**
- Horn
 - Hour meter

- 60 P Operator's Station (continued)**
- Instrumentation lights
 - Mode selectors (illuminated): Power mode (I) / Economy mode (I)
 - Monitor system: Preheat indicator / Engine oil pressure indicator with alarm / Alternator voltage indicator / Fuel gauge and low-fuel-level indicator / Engine coolant temperature gauge and engine coolant temperature indicator with alarm / Hour meter / Work lights indicator
 - Motion alarm with cancel switch
 - Work lights switch
 - Propel levers and foldable pedals
 - 2 travel speeds with automatic shifting
 - Seat belt, 51 mm (2 in.), retractable
 - ▲ Seat belt, 76 mm (3 in.), retractable
 - ▲ Vinyl seat with fore/aft adjustment
 - Suspension seat (cloth)
 - ▲ Front screen
 - ▲ Rear secondary exit kit
- Electrical**
- 12-volt accessory outlet
 - Alternator, 55 amp
 - Low-maintenance battery
 - Blade-type multi-fused circuits
 - Positive-terminal battery covers
 - ▲ JDLink™ connectivity hardware and John Deere Operations Center™ account
- Lights**
- Work lights: Halogen / 1 mounted on operator's station / 1 mounted on boom

Net engine power is with standard equipment including air cleaner, exhaust system, alternator, and cooling fan at test conditions per ISO 9249. These machines are not equipped with spark-arrestor mufflers. Usage in forestry applications is not recommended. Specifications and design subject to change without notice. Wherever applicable, specifications are in accordance with SAE standards. Except where otherwise noted, these specifications are based on a cab unit with standard arm, 0.19-m³ (6.8 cu. ft.) bucket, 400-mm (16 in.) rubber track, 745-kg (1,642 lb.) counterweight, full fuel tank, and 79-kg (175 lb.) operator.




ME60PAU (23-07)



JOHN DEERE



Waukesha- Pearce Industries, Inc.

Construction - Mining - Recycling Machinery Solutions

www.wpi.com Phone: 1-888-458-0448

Equipment Quotation

(This quotation is subject to terms and conditions)

Jefferson County Drainage District 3
24460 Hwy 124
Hamshire TX 77622
Attn: Ruffus Lavergne

Quote #: rpyburn-0056
Date: 10/11/2023

WPI is pleased to offer the following equipment for your consideration.

New Komatsu PC88MR-11 SN: TBD

SALES PRICE (EA) \$118,365.00

11'2" (3405MM) BOOM W/AUXILIARY PIPING

6' 11" (2100 MM) ARM W/AUXILIARY PIPING

BLADE ASSY 7'7" (2330MM)

18" ROAD LINER

Komtrax Monitoring System – FREE FOR THE LIFE OF THE MACHINE

ATTACHMENTS

24" Bucket

WARRANTY

Komatsu Premier 48 Months / 5000 Hours whichever occurs first

*** FINANCE RATE AT TIME DELIVERY TO APPLY ***

*** Taxes are Estimated – To Be Determined at Time of Delivery ***

Sales Price:	\$118,365.00
TERP:	0
HET:	0
Sales Tax:	0
Sub Total:	\$118,365.00
Total Price:	<u>\$118,365.00</u>

We look forward to your valued order. If you have any questions or comments, please feel free to contact me at (409) 658-6764 or ryan.pyburn@wpi.com.

Regards,
Ryan Pyburn

CUSTOMER HAS READ, UNDERSTANDS AND ACKNOWLEDGES THE TERMS / CONDITIONS AS SET FORTH IN THIS DOCUMENT. This quote becomes a sales order upon written acceptance by BOTH parties subject to those terms and conditions. This order is not valid unless accepted by an authorized WPI Manager.

Accepted: WAUKESHA-PEARCE INDUSTRIES, LLC
By: _____

Accepted: Jefferson County Drainage District 3
X _____ Date: _____

Quotation Terms & Conditions

ACCEPTANCE: Unless otherwise noted, this quotation expires in 30 days from the date of quotation. **PAYMENT TERMS:** Payment in full is due upon delivery. **TRADE-IN EQUIPMENT:** Purchaser warrants the trade-in equipment as shown is free and clear of all encumbrances and/or liens except in the amounts shown for "pay-off" as of the date of the quotation. **TAXES:** Any taxes listed upon this quotation are estimates only and are subject to change. Purchaser shall reimburse WaukeshaPearce Industries, Inc. (WPI) for all taxes incident to this transaction for which WPI is compelled to collect. **DELIVERY:** Any delivery quoted is an estimate only. WPI assumes no liability for delays in delivery. **VALIDITY:** This quotation is not binding on either WPI or the purchaser until it is accepted and validated, in writing by both parties, as a sales order. Whereupon, it becomes subject to all terms and conditions of a sales order as set forth below.

Sales Order Terms & Conditions

WARRANTIES: WPI makes no express warranties unless same appear in writing, are signed by WPI and specifically refer to said equipment and to this sales order. NO WARRANTY IS MADE THAT THE EQUIPMENT WILL SUIT CUSTOMER'S PURPOSE, THE SELECTION OF THE EQUIPMENT HAVING BEEN MADE BY CUSTOMER; NOR ARE THERE ANY WARRANTIES OF MERCHANTABILITY OR FITNESS FOR A PARTICULAR PURPOSE NOR ANY OTHER WARRANTIES, EXPRESS OR IMPLIED, WHICH EXTEND BEYOND THE DESCRIPTION OF THE EQUIPMENT OR, IF NEW EQUIPMENT, BEYOND THE MANUFACTURER'S WARRANTY. WPI MAKES NO WARRANTY AS TO THE PRODUCTIVITY OF THE EQUIPMENT. UNDER NO CIRCUMSTANCES SHALL WPI BE LIABLE FOR LOSS OF USE, DOWN-TIME OR ANY OTHER CONSEQUENTIAL DAMAGES. **DAMAGE TO THE EQUIPMENT:** Customer shall assume liability and full responsibility for any damage (other than normal wear and tear) to or loss of the Equipment from the time it is shipped from WPI's place of storage. **TAXES:** Customer shall pay all taxes, assessments, fees and penalties which may be levied or assessed on or in respect to the operation, leasing, possession or use of the Equipment. Customer shall provide, at its own expense, all permits and licenses necessary for the operation and use of the Equipment. Customer shall comply with all laws, regulations, and ordinances applicable to the use, possession and operation of the Equipment, and shall indemnify, defend and hold WPI harmless from any consequences of Customer's noncompliance. **INSURANCE:** Customer, at its own expense, shall maintain in force adequate public liability insurance against bodily injury, death, and property damage resulting from the use or operation of the Equipment from the time that it is shipped from WPI's place of storage. Customer also agrees to keep the Equipment insured in accordance with the terms and conditions of any third party leasing company or finance company that has an interest in the Equipment. Until such time that the equipment has been fully settled and paid, customer agrees to insure the Equipment at its full replacement value against any loss or damage through accident, fire, weather condition, theft or malicious destruction. In addition, Customer shall adequately insure the Equipment against any other insurable risks to which the Equipment is exposed and those which WPI may designate. All such policies shall be subject to WPI's approval and shall be payable to or on behalf of WPI and Customer, as their interests appear. CUSTOMER SHALL DELIVER TO WPI CERTIFICATES OF SUCH INSURANCE, CUSTOMER AGREES TO INDEMNIFY, DEFEND AND HOLD WPI HARMLESS FROM ANY INJURY, DEATH OR PROPERTY DAMAGE RESULTING FROM CUSTOMER'S OPERATION OF THE EQUIPMENT, INCLUDING CLAIMS ARISING OUT OF WPI'S ALLEGED NEGLIGENCE. It is the Customer's responsibility to maintain insurance from the point of shipment. **OWNERSHIP:** Title to the Equipment shall remain vested in WPI until Customer settles for same by executing a cash payment, executing lease documents to transfer title to a third party leasing company or executing finance documents with a third party finance company. In the event of such financing, Customer hereby acknowledges that its rights under this sales order are subject and subordinate to the rights of the holder of security interest in the equipment. Customer further agrees that WPI has the right to assign its rights under this order, and in the event of such assignment and receipt of notice thereof Customer shall make any payment due to WPI unconditionally directly to such assignee. **DEFAULT:** This sales order is entered into in good faith between Customer and WPI and both parties agree to perform their duties hereunder. Time is of the essence, and Customer shall make all payments when due. Failure to make any such payment when due shall constitute a default. UPON CUSTOMER'S DEFAULT, WPI MAY TERMINATE THIS ORDER, WHEREUPON CUSTOMER'S RIGHT TO THE EQUIPMENT SHALL CEASE FORTHWITH, but Customer shall remain liable to WPI for all unpaid payments due hereunder up to and including the full sales price indicated plus any incidental expenses or legal costs incurred. WPI may proceed by appropriate court action to enforce performance by Customer of the terms of this sales order, or to recover for the breach thereof. WPI's rights hereunder are cumulative and not alternative. WPI may waive any default or remedy without waiving any prior or subsequent default or remedy or without waiving any claim for damages. **DOCUMENTATION:** Customer agrees on demand to execute and deliver to WPI such additional forms and documents (such as a Financing Statement, Request for information, and Request for Statement of Account) as may be reasonably required by WPI to consummate this order when accepted. **PAYMENT OF MONIES:** All sums of money payable by Customer under the terms of this order shall be due and payable at the location specified by the actual billing received from WPI in lawful money of the United States, and will be subject to a late charge of up to and including the maximum allowed by law after maturity until paid. Should any legal proceedings be instituted by WPI to recover monies due and to become due hereunder Customer shall pay a reasonable sum as attorney's fees. **CONSTITUTION OF AGREEMENT:** This order, when accepted by WPI, shall constitute the entire agreement of the parties, and Customer agrees that WPI is not bound by any representative or terms made by any officer, agent or employee of WPI relative to this transaction which are not embodied herein; and this order may be modified or rescinded only by a writing signed by both parties hereto. **LAWFUL ENFORCEMENT** This sales order and the ensuing sales transaction shall be governed by and construed under the laws of the State of Texas. **IRC SEC 1031 EXCHANGE NOTIFICATION:** Waukesha-Pearce Industries, Inc. has assigned its rights to sell its rental equipment (as described herein) to North Star Deferred Exchange. This assignment has no effect on your rights or obligations hereunder.

KOMATSU®

PC88MR-11

Tier 4 Final Engine

COMPACT HYDRAULIC EXCAVATOR



Photos may include optional equipment.

NET HORSEPOWER

68 HP @ 1,850 rpm
51 kW @ 1,850 rpm

OPERATING WEIGHT

18,739–19,224 lbs.
8500–8720 kg

BUCKET CAPACITY

0.12–0.26 yd³
0.09–0.20 m³

PC88MR

WALK-AROUND

PC88MR-11



Photos may include optional equipment.

NET HORSEPOWER

68 HP @ 1,850 rpm
51 kW @ 1,850 rpm

OPERATING WEIGHT

18,739–19,224 lbs.
8500–8720 kg

BUCKET CAPACITY

0.12–0.26 yd³
0.09–0.20 m³



PERFORMANCE AND VERSATILITY

Swing boom design with standard auxiliary hydraulics expand versatility in a productive and easy to transport design.

New engine and hydraulic technology helps improve operational efficiency and lowers fuel consumption by up to 4%.**

A high output **Komatsu SAA3D95E-1 engine** provides a net output of 50.6 kW **68 HP**. This engine is EPA Tier 4 Final emissions certified.

Viscous fan clutch provides up to 2% lower fuel consumption.

Komatsu Diesel Oxidation Catalyst (KDOC) reduces particulate matter using passive regeneration 100% of the time. **No AdBlue®/DEF or DPF is required.**

Komatsu's Closed-center Load Sensing System (CLSS) provides quick response and smooth operation to promote maximum productivity.

Enhanced working modes are designed to match engine speed, pump delivery, and system pressure to the application.

Large LCD color monitor panel:

- 7" high resolution screen
- Provides "Ecology Guidance" for fuel efficient operation
- Enhanced attachment control

Rearview monitoring system (standard)

Equipment Management Monitoring System (EMMS) continuously monitors machine operation and vital systems to identify machine issues and assist with troubleshooting.

Enhanced working environment

- High back, suspension operator seat
- Integrated ROPS cab design
- Cab meets ISO Level 1 Operator Protective Guard (OPG) top guard
- Aux jack and (2) 12V outlets

Minimum Swing Radius with swing boom allows the PC88MR-11 to fit in confined spaces at jobsites.

Wide access service doors provide easy access for ground level maintenance.



Photos may include optional equipment.

Standard proportional joysticks and auxiliary piping to run attachments.

Operator Identification System

Battery disconnect switch allows a technician to disconnect the power supply before servicing the machine.

Komatsu designed and manufactured components

Larger service doors improve maintenance accessibility with centralized ground-level filters relocated to a common area.

Komatsu Auto Idle Shutdown helps reduce idle time and operating costs.

Standard 7'7" 2330mm blade redesigned to roll material for more efficient backfilling.

Standard pattern change valve

Bluetooth radio with wireless technology and USB

LED work lamps are standard equipment.

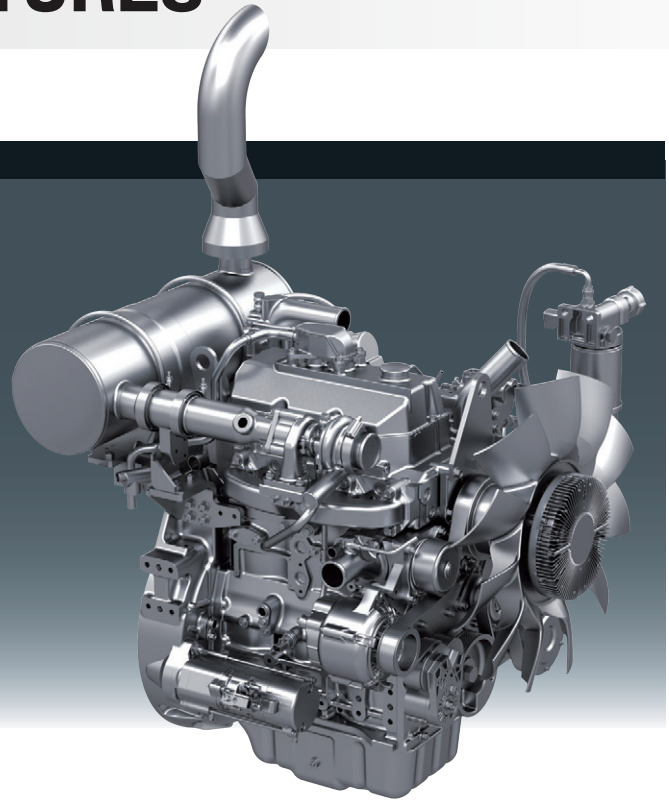
* Thumb is not standard ** All comparisons are to the prior model, unless otherwise stated.

PERFORMANCE FEATURES

KOMATSU NEW ENGINE TECHNOLOGIES

A New High Output 2.4-liter Engine

Komatsu's new, in house-developed high output 2.4-liter engine can meet all user requirements. Its digging efficiency and environmental performance are top-of-the class, offering both high power and low fuel consumption even with a more compact engine. Centralized ground-level access filters help reduce maintenance time.



Improved Efficiency

Improved Total Vehicle Control promotes optimum performance under a wide variety of operational conditions. Improvements such as variable speed matching of engine speed according to hydraulic pump output, reduction of hydraulic pressure loss and a fan clutch help significantly reduce fuel consumption, while enabling higher operating speeds.

Compared to the PC88MR-10



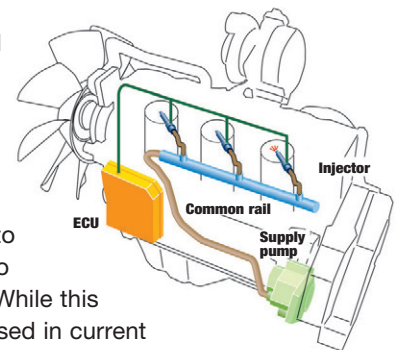
Technologies Applied to New Engine

Electronic control system

The electronic control system performs high-speed processing of all signals from sensors installed in the vehicle and engine to control equipment in different conditions of use. Conditions of the engine are displayed via an on-board network on the monitor inside the cab, providing necessary information to the operator. Furthermore, managing the information via KOMTRAX helps customers engage in appropriate maintenance.

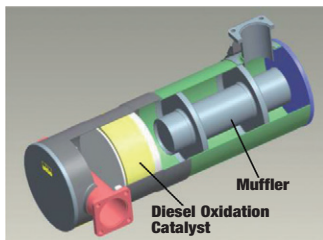
Heavy-duty High-Pressure Common Rail fuel injection system

The system is designed to achieve an optimal injection of high-pressure fuel by means of computerized control, thereby bringing close to complete combustion to reduce PM emissions. While this technology is already used in current engines, the new system realizes a higher-pressure injection, thereby reducing both PM emissions and fuel consumption at entire engine operating conditions.



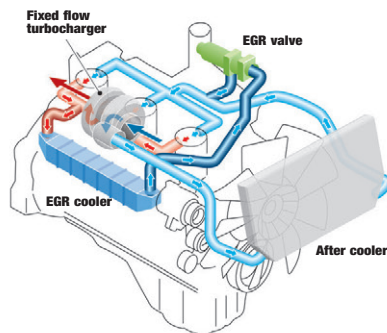
Komatsu Diesel Oxidation Catalyst (KDOC)

The new Komatsu Diesel Oxidation Catalyst (KDOC) has an integrated design that does not interfere with daily operation. This smart and simplified system removes soot using **100% "passive regeneration"** without the need for a Diesel Particulate Filter. The KDOC is a long-life design and requires no maintenance. For owners, this means lower owning and operating costs due to less complexity and seamless operation.



Cooled Exhaust Gas Recirculation (EGR)

Cooled EGR, a technology well-proven in existing Komatsu engines, helps reduce NOx emissions. These components promote reliable performance during the demanding work conditions of construction equipment.



Low Noise

A more compact engine produces space for a fan clutch system allowing engine and hydraulic system turning using a variable matching control system which reduces noise.

Surrounding noise

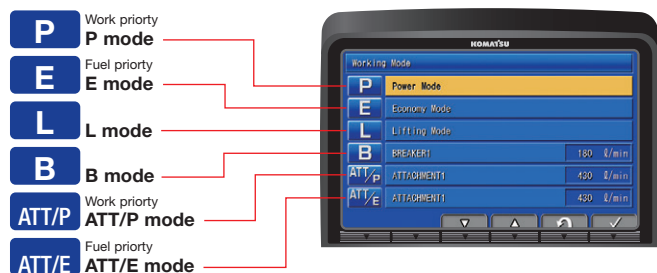
Reduced 1.0 dB (A)

Compared to the PC88MR-10

Working Mode Selection

The PC88MR-11 excavator is equipped with six working modes (P, E, L, B, ATT/P and ATT/E). Each mode is designed to match engine speed, pump flow, and system pressure to the application. The PC88MR-11 features a new mode (ATT/E) which allows operators to run attachments while in Economy mode.

Working Mode	Application	Advantage
P	Power mode	<ul style="list-style-type: none"> •Maximum production/power •Fast cycle times
E	Economy mode	<ul style="list-style-type: none"> •Good cycle times •Better fuel economy
L	Lifting mode	<ul style="list-style-type: none"> •Increases hydraulic pressure
B	Breaker mode	<ul style="list-style-type: none"> •Optimized engine rpm, hydraulic flow
ATT/P	Attachment Power mode	<ul style="list-style-type: none"> •Optimized engine rpm, hydraulic flow, 2-way •Power mode
ATT/E	Attachment Economy mode	<ul style="list-style-type: none"> •Optimized engine rpm, hydraulic flow, 2-way •Economy mode



Working mode selectable

Ecology gauge & fuel consumption gauge

Ecology guidance

Auto-decelerator

PERFORMANCE FEATURES

INCREASED PRODUCTIVITY

Improved Digging Performance

Overall operating performance is improved by the higher digging speed and smooth integration of multiple operational controls. This reduces stress on the operator.

Productivity (90° dump loading)

P mode up to **7%** increase

Compared to the PC88MR-10



LED Lamps

LED lamps are equipped on the boom and cab. The visibility under low light environment is improved, and work at night with ease.



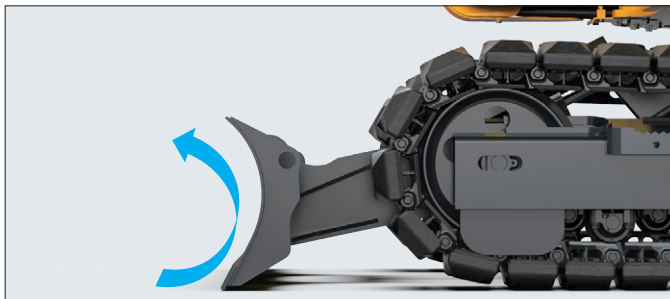
Improved multifunction operation

Quicker arm speed makes levelling work and teeth alignment easier and faster. With the higher digging speed and faster hoist swing and lift rate, even the toughest jobs are handled with ease.

Improved Blade Design

Improved blade efficiency

Improved blade design rolls material better for more efficient dozing work and backfilling.



Automatic travel speed change and travel switch

The travel speed selector switch installed on the blade control lever allows the operator to engage high speed travel. Once engaged, the travel speed automatically shift up or down within the selected speed range.



Travel switch

Equipped with a blade as standard equipment

A blade for efficient back-filling and leveling work is equipped as standard.



Improved Auxiliary Hydraulic Circuit

Better hydraulic flow to attachments

The standard auxiliary hydraulic circuit now has up to 12% greater hydraulic flow.

Hydraulic flow to the attachment

up to 12%

Compared to the PC88MR-10

Automated Attachment Conversion Using Monitor

Equipped with universal piping for attachments such as breakers or crushers, conversion to low-pressure (one-way flow) mode requires only a push of the breaker mode switch on the monitor.



MAINTENANCE FEATURES

Improved Serviceability

Improved maintenance accessibility with larger service access doors.

Easy to clean cooling unit area

1. The auxiliary hydraulic circuit return filter has been relocated for easier ground-level access alongside the windshield washer tank
2. Centralized ground-level access with filters relocated to a common area
3. Easier access to side-by-side cooling package with enlarged panels and doors
4. Air conditioning condenser swings open for improved access to radiator for cleaning



Centralized ground-level access with filters relocated to a common area

The new layout centralizes fuel/oil filters at just the right height for easy access. This helps reduce the labor and stress involved in periodic inspections.



Fuel pre-filter (With water separator) High efficiency fuel filter Engine oil filter Fuel drain valve

Engine oil drain valve

The new engine oil drain valve makes draining engine oil quick and easy.

Improved fueling access

Improved right-hand locking fuel tank cover provides easier ground-level access to fuel tank filler port.



The auxiliary hydraulic circuit return filter has been relocated for easier ground-level access alongside the windshield washer tank



Washer tank Auxiliary hydraulic circuit return filter

Easy to clean, new floor mat

Removing the floor mat for the cleaning is easy since it is not fixed by bolts.



Closed-circuit cooling system

This system not only makes cooling more efficient, but also requires minimal maintenance until the next coolant change.

Fan belt auto-tensioner

Maintenance-free fan belt auto-tensioner.

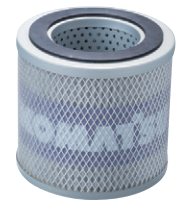
Battery disconnect switch

A standard battery disconnect switch allows a technician to disconnect the power supply and lock out before servicing the machine.



Long-life oil, filter

Engine oil & engine oil filter	every 500 hours
Hydraulic oil	every 5000 hours
Hydraulic oil filter	every 1000 hours

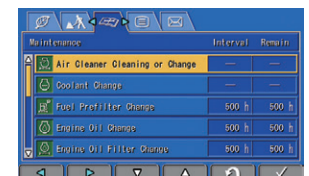


Hydraulic oil filter

“Maintenance time caution lamp” display

When the remaining time to maintenance becomes less than 30 hours*, the maintenance time monitor appears. Pressing the F6 key switches the monitor to the maintenance screen.

* : The setting can be changed within the range between 10 and 200 hours.



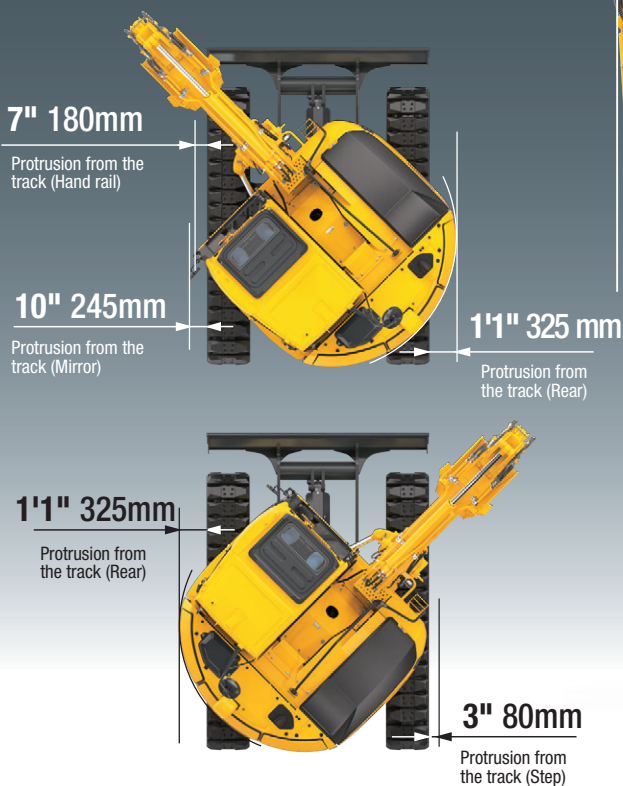
Maintenance screen

OPERATION FEATURES

SHORT SWING RADIUS

Small Tail Swing

The narrow swing area is well suited for operation in confined areas with only a 325 mm protrusion over the tracks.



Minimum implement swing radius (When boom swing) 9'6" 2900 mm (8'4" 2545 mm) Tail swing radius 4' 10" 1485 mm



Against wall

PC88MR-11 can efficiently work in confined spaces with its swing boom design.



Rear View Monitor System

The operator can view the area behind the machine on a color monitor screen.



Right Side Visibility

Visibility on the right has been improved through modification of the right soil cover.



Lock Lever Functionality

Lock lever

When lock lever is placed in lock position all hydraulic controls (Travel, swing, boom, arm, bucket and blade) are inoperable.



Lever shown in lock position

ROPS Cab (ISO 12117-2)

The machine is equipped with a ROPS cab that conforms to ISO 12117-2 for excavators as standard equipment. The ROPS cab has high shock absorption performance, featuring excellent durability and impact strength. It also satisfies the requirements of ISO OPG top guard level 1 for falling objects. Combined with the retractable seat belt.



Rear View Monitoring System

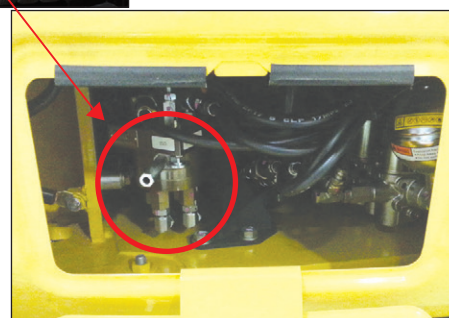
The operator can view the rear of the machine with a color monitor screen.



Rear view image on monitor

Pattern Change Valve Standard

A pattern change valve is conveniently located below the cab, making switching from excavator controls to backhoe controls quick and easy.



WORKING ENVIRONMENT

Improved Spacious Pressurized Cab

Large comfortable cab equipped on this minimum radius machine for added operator comfort.



Low interior noise reducing operator fatigue

A comfortable low noise cab enables longer operation with less fatigue.

Noise level at operator ears

71 dB (A)

Suspension seat

The reclining seat has deep side supports for the operator. The backrest angle can be easily adjusted using a pull-up lever for the optimum operating posture.



Multifunction stereo

It has functions of AM/FM radio and USB and Bluetooth® wireless technology enabled products can be connected.



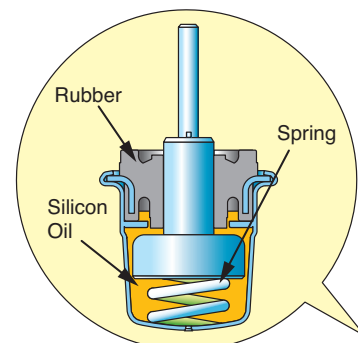
Automatic Air Conditioner

The automatic air conditioner allows the operator to easily and precisely set the cab atmosphere using the large LCD color monitor panel. The bi-level control function improves air flow and keeps the inside of the cab comfortable throughout the year.



Low Vibration with Viscous Cab Mounts

The PC88MR-11 uses viscous mounts for the cab that incorporate a longer stroke and the addition of a spring. The cab damper mounting combined with a high rigidity deck reduces vibration at the operator's seat.



LARGE HIGH RESOLUTION LIQUID CRYSTAL DISPLAY (LCD) MONITOR



Machine Monitor with Evolutionary Interface

The interface has been redesigned to enable the necessary information to be read and understood more easily, while retaining the maneuverability of previous models. A rear view camera image have been added to the default main screen. The interface has a function that enables the main screen to be switched, thus enabling the most useful screen for the particular work situation to be displayed.

Indicators

- | | |
|------------------------------------|---------------------------|
| 1 Auto-decelerator | 8 Fuel gauge |
| 2 Working mode | 9 Service meter, clock |
| 3 Travel speed | 10 Fuel consumption gauge |
| 4 Ecology gauge | 11 Guidance icon |
| 5 Camera display | 12 Function switches |
| 6 Engine coolant temperature gauge | |
| 7 Hydraulic oil temperature gauge | |

Basic operation switches

- | | |
|-------------------------|-----------------|
| 1 Auto-decelerator | 4 Buzzer cancel |
| 2 Working mode selector | 5 Wiper |
| 3 Traveling selector | 6 Window washer |

Support Efficiency Improvement

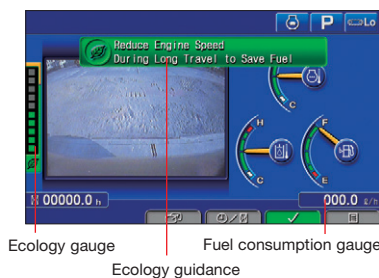
Ecology guidance

While the machine is operating, Ecology guidance pops up on the monitor screen to notify the operator of the status of the machine in real time.

- Avoid Excessive Engine Idling
- Use Economy Mode to Save Fuel
- Avoid Hydraulic Relief Pressure
- Reduce Engine Speed During Long Travel to Save Fuel

Ecology gauge & fuel consumption gauge

The monitor screen is provided with an Ecology gauge and also a fuel consumption gauge which is displayed continuously. In addition, the operator can set any desired target value of fuel consumption (Within the range of the green display), enabling the machine to be operated with better fuel economy.

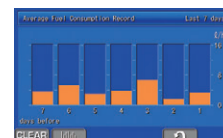


Operation record, fuel consumption history, and Ecology guidance record

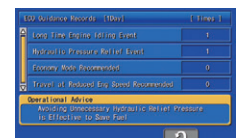
The Ecology guidance menu enables the operator to check the operation record, fuel consumption history and Ecology guidance record from the Ecology guidance menu, using a single touch, thus enabling the total fuel consumption to be reduced.



Operation record



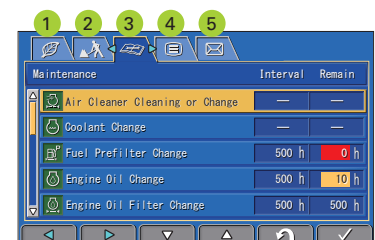
Fuel consumption history



Ecology guidance record

Visual user menu

Pressing the F6 key on the main screen displays the user menu screen. The menus are grouped for each function, and use easy-to-understand icons which enable the machine to be operated more easily.



- 1 Energy saving guidance
- 2 Machine settings
- 3 Maintenance
- 4 Monitor setting
- 5 Mail check

Komatsu Care program includes:

The PC88MR-11 comes standard with complimentary factory-scheduled maintenance for the first three years or 2,000 hours, whichever occurs first.*

Planned maintenance intervals at:

500/1,000/1,500/2,000-hour intervals. (250-hour initial interval for some products.) Complimentary maintenance interval includes: replacement of oils and fluid filters with genuine Komatsu parts, 50-point inspection, Komatsu Oil and Wear Analysis (KOWA) sampling/travel and mileage (distance set by distributor; additional charges may apply)

Benefits of using Komatsu Care

- Assurance of proper maintenance with OEM parts and service
- Increased uptime and efficiency
- Factory-certified technicians performing work
- Cost of ownership savings
- Transferable upon resale

Komatsu CARE® – Extended Coverage

- Extended Coverage can provide peace of mind by protecting customers from unplanned expenses that effect cash flow
- Purchasing extended coverage locks-in the cost of covered parts and labor for the coverage period and helps turn these into fixed costs



Planned maintenance interval	500	1,000	1,500	2,000
KOWA sampling – (engine, hydraulics, swing circle, l & r final drives)	✓	✓	✓	✓
Lubricate machine	✓	✓	✓	✓
Lubricate swing circle	✓	✓	✓	✓
Check swing pinion grease level and add, when necessary	✓	✓	✓	✓
Change engine oil	✓	✓	✓	✓
Replace engine oil filter	✓	✓	✓	✓
Replace fuel pre filter	✓	✓	✓	✓
Clean air cleaner element	✓	✓	✓	✓
Drain sediment from fuel tank	✓	✓	✓	✓
Complete 50-point inspection form; leave pink copy with customer or in cab	✓	✓	✓	✓
Reset monitor panel maintenance counter for appropriate items	✓	✓	✓	✓
Replace main fuel filter		✓		✓
Factory-trained technician labor	✓	✓	✓	✓

Komatsu Parts Support

- 24/7/365 to fulfill your parts needs
- 9 parts Distribution Centers strategically located across the U.S. and Canada
- Distributor network of more than 300 locations across U.S. and Canada to serve you
- Online part ordering through Komatsu eParts
- Remanufactured components with same-as-new warranties at a significant cost reduction



Komatsu Oil and Wear Analysis (KOWA)

- KOWA detects fuel dilution, coolant leaks, and measures wear metals
- Proactively maintain your equipment
- Help maximize availability and performance
- Can identify potential problems before they lead to major repairs
- Reduce life cycle cost by extending component life

*Certain exclusions and limitations apply. Refer to the customer certificate for complete program details and eligibility. Komatsu® and Komatsu Care® are registered trademarks of Komatsu Ltd. | Copyright 2021 Komatsu America Corp.

KOMTRAX EQUIPMENT MONITORING

GET THE WHOLE STORY WITH **KOMTRAX**[®]

✓ WHAT

- KOMTRAX is Komatsu's remote equipment monitoring and management system
- KOMTRAX **continuously monitors and records** machine health and operational data
- Information such as fuel consumption, utilization, and a detailed history **aids in making repair or replacement decisions**

✓ WHEN

- Know when your machines are **running or idling** and make decisions that will improve your fleet utilization
- Detailed movement records let you know when and where your equipment is moved
- Up to date records allow you to **know when maintenance was done** and help you plan for future maintenance needs

✓ WHERE

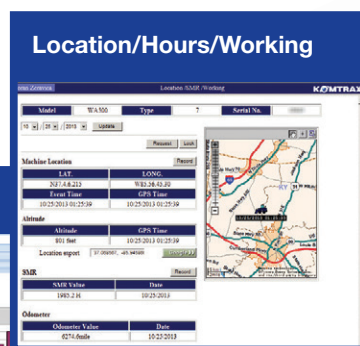
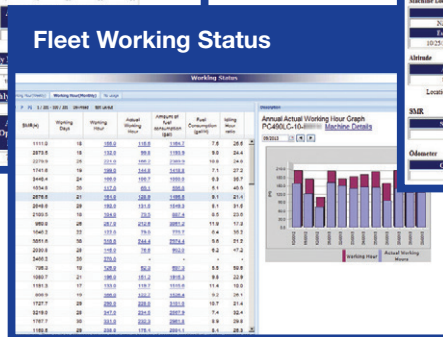
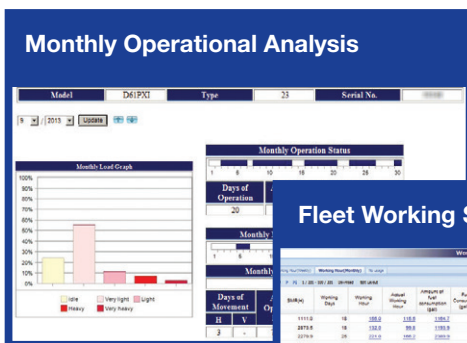
- KOMTRAX data **can be accessed virtually anywhere** through your computer, the web or your smart phone
- Automatic alerts keep fleet managers up to date on the latest machine notifications

✓ WHO

- KOMTRAX is **standard** equipment on all Komatsu construction products

✓ WHY

- Knowledge is power - **make informed decisions** to manage your fleet better
- Knowing your idle time and fuel consumption will help maximize your machine efficiency
- **Take control of your equipment** - any time, anywhere



KOMTRAX[®]

KOMTRAX Plus[®]

For construction and compact equipment.

For production and mining class machines.

SPECIFICATIONS



ENGINE

Model..... Komatsu SAA3D95E-1*
 Type..... Water-cooled, 4-cycle, direct injection
 Aspiration..... Turbocharged, aftercooled, cooled EGR
 Number of cylinders..... 3
 Bore..... 95 mm **3.74"**
 Stroke..... 115 mm **4.52"**
 Piston displacement..... 2.45 L **149.5 in³**
 Horsepower:
 SAE J1995..... Gross 50.7 kW **68.0 HP**
 ISO 9249 / SAE J1349..... Net 50.6 kW **67.9 HP**
 Rated rpm..... 1850
 Fan drive method for radiator cooling..... Mechanical
 with viscous fan clutch
 Governor..... All-speed control, electronic
 *EPA Tier 4 Final emissions certified



HYDRAULICS

Type..... HydrauMind (Hydraulic Mechanical Intelligence New Design) system, closed-center system with load-sensing valves and pressure-compensated valves
 Number of selectable working modes..... 6
 Main pumps:
 Pumps for..... Boom, arm, bucket, swing, and travel circuits
 Type..... Variable displacement, axial piston
 Maximum flow..... 160 L/min **42.2 gal/min**
 Pumps for..... Blade
 Type..... Fixed displacement gear
 Maximum flow..... 63 L/min **17.0 gal/min**
 Hydraulic motors:
 Travel..... 2 x piston motor with parking brake
 Swing..... 1 x axial piston motor with swing holding brake
 Relief valve setting:
 Implement circuits..... 26.5 MPa 270 kgf/cm² **3,844 psi**
 Travel circuits..... 26.5 MPa 270 kgf/cm² **3,844 psi**
 Swing circuits..... 21.0 MPa 215 kgf/cm² **3,060 psi**
 Pilot circuits..... 3.2 MPa 33 kgf/cm² **464 psi**
 Blade circuits (Raise)..... 12.7 MPa 130 kgf/cm² **1,842 psi**
 Blade circuits (Lower)..... 21.1 MPa 215 kgf/cm² **3,060 psi**

Hydraulic cylinders:

(Number of cylinders – bore x stroke x rod diameter)

Boom.. 1–115 mm x 988 mm x 65 mm **4.53" x 38.9" x 2.56"**
 Arm..... 1–100 mm x 861 mm x 60 mm **3.9" x 33.9" x 2.36"**
 Bucket.. 1–90 mm x 710 mm x 55 mm **3.54" x 27.95" x 2.17"**
 Swing.. 1–120 mm x 638 mm x 60 mm **4.72" x 25.12" x 2.36"**
 Blade.... 1–130 mm x 200 mm x 65 mm **5.12" x 7.87" x 2.56"**

Auxiliary hydraulics:

Two-way..... 138 L/min **36.5 gal/min**
 Relief..... 26.51 MPa **3,830 psi**
 One-way..... 80 L/min **21.1 gal/min**
 Relief in breaker mode..... 17.17 MPa **2,490 psi**



DRIVES AND BRAKES

Steering control..... Two levers with pedals
 Drive method..... Hydrostatic
 Maximum drawbar pull..... 68.1 kN 6950 kgf **15,309 lbf**
 Maximum travel speed: High..... 5.0 km/h **3.1 mph**
 Low..... 2.7 km/h **1.9 mph**
 Service brake..... Hydraulic lock
 Parking brake..... Mechanical disc



SWING SYSTEM

Driven by..... Hydraulic motor
 Swing reduction..... Planetary gear
 Swing circle lubrication..... Grease-bathed
 Swing lock..... Mechanical disc brake
 Swing speed..... 10 rpm



UNDERCARRIAGE

Center frame..... X-frame leg
 Track frame..... Box-section
 Track type..... Sealed
 Track adjuster..... Hydraulic
 Number of shoes (each side)..... 39
 Number of carrier rollers (each side)..... 1
 Number of track rollers (each side)..... 5



COOLANT & LUBRICANT CAPACITY (REFILLING)

Fuel tank..... 125 L **33 U.S. gal**
 Radiator..... 18 L **4.8 U.S. gal**
 Engine..... 10.5 L **2.7 U.S. gal**
 Final drive, each side..... 1.1 L **0.29 U.S. gal**
 Swing drive..... 2.8 L **0.74 U.S. gal**
 Hydraulic tank..... 56 L **14.8 U.S. gal**



OPERATING WEIGHT (APPROXIMATE)

Operating weight includes 3405 mm **11'2"** one-piece boom, 2100 mm **6'11"** arm, ISO 7451 heaped 0.20 m³ **0.26 yd³** bucket, blade, rated capacity of lubricants, coolant, full fuel tank, operator, and standard equipment.

Track Shoes	Operating Weight	Ground Pressure (ISO 16754)
Road liner 450 mm 18"	8720 kg 19,224 lbs.	38.2 kPa / 0.39 kg/cm ² 5.54 psi
Triple grouser 450 mm 18"	8580 kg 18,916 lbs.	38.2 kPa / 0.39 kg/cm ² 5.54 psi
Triple grouser 600 mm 24"	8750 kg 19,290 lbs.	29.4 kPa / 0.38 kg/cm ² 4.26 psi
Rubber track 450 mm 18"	8500 kg 18,739 lbs.	37.3 kPa / 0.38 kg/cm ² 5.41 psi

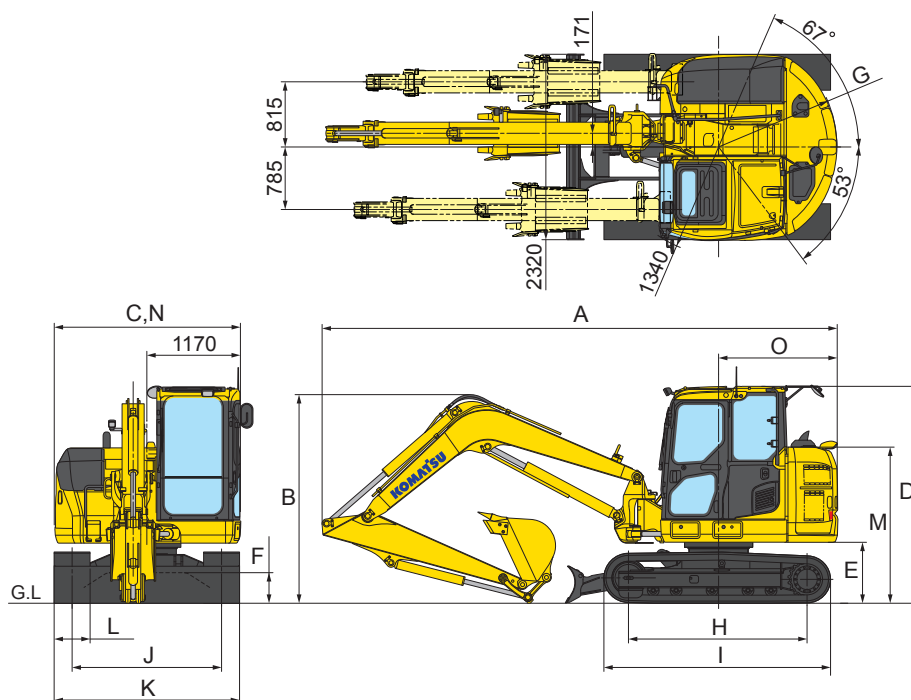


WORKING FORCES

	Arm Length	2100 mm 6'11"
ISO rating	Bucket digging force	61.3 kN / 6250 kgf / 13,781 lbs.
	Arm crowd force	36.3 kN / 3700 kgf / 8,161 lbs.
SAE rating	Bucket digging force	53.3 kN / 5440 kgf / 11,982 lbs.
	Arm crowd force	34.3 kN / 3500 kgf / 7,711 lbs.



DIMENSIONS



	Boom length	3405 mm	11'2"
A	Overall length	6430 mm	21'1"
B	Overall height (to top of boom)	2615 mm	8'7"
C	Overall width	2330 mm	7'8"
D	Overall height (to top of cab)	2740/2710* mm	9'0"/8'9"
E	Ground clearance, counterweight	785 mm	2'7"
F	Ground clearance, minimum	410 mm	1'4"
G	Tail swing radius	1485 mm	4'10"
H	Track length on ground	2235 mm	7'4"
I	Track length	2890/2840* mm	9'6"/9'4"
J	Track gauge	1870 mm	6'2"
K	Width of crawler	450 mm 18" shoe	2170 mm 7'2"
		600 mm 24" shoe	2320 mm 7'7"
L	Shoe width	450/600 mm	1'6"/2'0"
M	Machine engine hood height	1975 mm	6'6"
N	Machine cab width	2330 mm	7'8"
O	Distance, swing center to rear end	1485 mm	4'10"

* : Dimension of the machine with the triple grouser shoes.



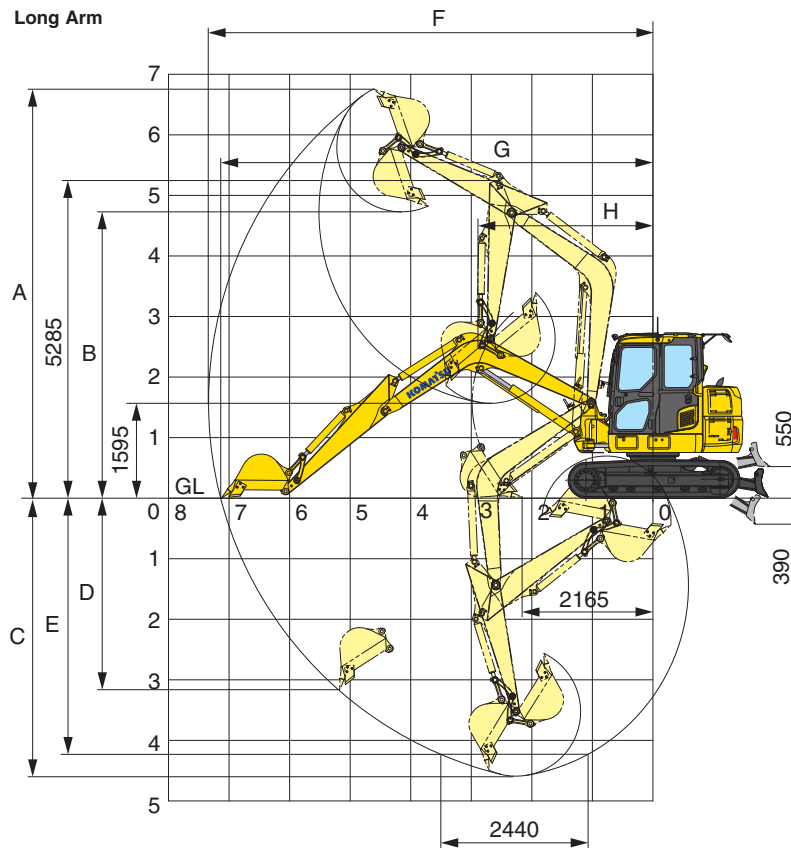
BACKHOE BUCKET, ARM AND BOOM COMBINATIONS

Bucket Capacity (heaped)				Width				Weight		Number of Teeth	Arm Length
SAE, PCSA		CECE		Without Cutters		With Cutters					2100 mm (6'11')
0.09 m ³	0.12 yd ³	0.08 m ³	0.10 yd ³	350 mm	13.7"	450 mm	17.7"	145 kg	319.7 lb	3	0
0.12 m ³	0.16 yd ³	0.11 m ³	0.14 yd ³	450 mm	17.7"	550 mm	21.7"	160 kg	352.7 lb	3	0
0.20 m ³	0.26 yd ³	0.18 m ³	0.24 yd ³	550 mm	21.7"	650 mm	25.6"	185 kg	407.9 lb	3	0

SPECIFICATIONS



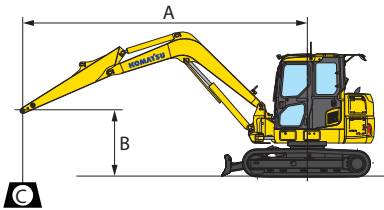
WORKING RANGE



	Arm Length	2100 mm	6'11"
A	Max. digging height	6800 mm	22'4"
B	Max. dumping height	4770 mm	15'8"
C	Max. digging depth	4565 mm	15'0"
D	Max. vertical wall digging depth	3115 mm	10'3"
E	Max. digging depth of cut for 8' level bottom	4200 mm	13'9"
F	Max. digging reach	7345 mm	24'1"
G	Max. digging reach at ground level	7135 mm	23'5"
H	Min. swing radius	2900 mm	9'6"
	(When boom swing)	(2545 mm)	8'4"
SAE rating	Bucket digging force	53.3 kN 5440 kg / 11,982 lb	
	Arm crowd force	34.3 kN 3500 kgf / 7,710 lb	
ISO rating	Bucket digging force	61.3 kN 6250 kg / 13,780 lb	
	Arm crowd force	36.3 kN 3700 kgf / 8,160 lb	



LIFTING CAPACITY WITH LIFTING MODE



- A: Reach from swing center
- B: Bucket hook height
- C: Lifting capacity
- Cf: Rating over front
- Cs: Rating over side
- ⊗: Rating at maximum reach

Arm: 2100mm (6'11") Bucketless (without cylinder and links) Shoe width: 450 mm Road Liner Blade on ground

A \ B		1.5 m (4'11")		2.0 m (6'7")		3.0 m (10')		4.0 m (13'1")		5.0 m (16'5")		⊗ MAX	
		Cf	Cs	Cf	Cs	Cs	Cf	Cs	Cf	Cs	Cf	Cs	Cf
5m (16.4 ft)	kg (lb)									*1460 (3230)	1420 (3130)	*1530 (3370)	1340 (2960)
4m (13.1 ft)	kg (lb)									*1450 (3190)	1410 (3120)	*1620 (3580)	1100 (2430)
3m (9.8 ft)	kg (lb)									*1660 (3660)	1380 (3040)	*1630 (3610)	970 (2150)
2m (6.6 ft)	kg (lb)					*3110 (6870)	2800 (6180)	*2300 (5070)	1830 (4050)	*1990 (4390)	1330 (2930)	*1710 (3770)	910 (2010)
1m (3.3 ft)	kg (lb)					*4840 (10670)	2550 (5630)	*3060 (6740)	1720 (3800)	*2390 (5270)	1270 (2800)	*1860 (4100)	890 (1970)
GL	kg (lb)					*4230 (9340)	2430 (5360)	*3630 (8010)	1640 (3620)	*2710 (5980)	1220 (2700)	*2120 (4690)	910 (2010)
-1m (-3.3 ft)	kg (lb)	*2850 (6290)	*2850 (6290)	*3120 (6880)	*3120 (6880)	*5520 (12180)	2400 (5300)	*3890 (8590)	1600 (3540)	*2900 (6390)	1200 (2640)	*2390 (5270)	980 (2160)
-2m (-6.6 ft)	kg (lb)	*4400 (9700)	*4400 (9700)	*4960 (10950)	4840 (10690)	*5670 (12510)	2420 (5340)	*3840 (8480)	1600 (3540)	*2840 (6270)	1200 (2640)	*2680 (5900)	1140 (2530)

Arm: 2100mm (6'11") Bucketless (without cylinder and links) Shoe width: 450 mm Road Liner Blade off ground

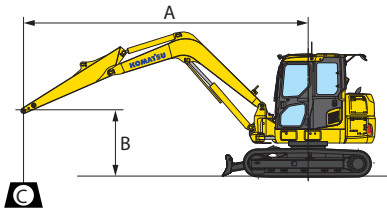
A \ B		1.5 m (4'11")		2.0 m (6'7")		3.0 m (10')		4.0 m (13'1")		5.0 m (16'5")		⊗ MAX	
		Cf	Cs	Cf	Cs	Cs	Cf	Cs	Cf	Cs	Cf	Cs	Cf
5m (16.4 ft)	kg (lb)									*1460 (3230)	1420 (3130)	*1530 (3370)	1340 (2960)
4m (13.1 ft)	kg (lb)									*1450 (3190)	1410 (3120)	1300 (2870)	1100 (2430)
3m (9.8 ft)	kg (lb)									1640 (3610)	1380 (3040)	1150 (2550)	970 (2150)
2m (6.6 ft)	kg (lb)					*3110 (6870)	2800 (6180)	2210 (4880)	1830 (4050)	1580 (3500)	1330 (2930)	1080 (2390)	910 (2010)
1m (3.3 ft)	kg (lb)					3200 (7070)	2550 (5630)	2090 (4620)	1720 (3800)	1520 (3360)	1270 (2800)	1060 (2340)	890 (1970)
GL	kg (lb)					3070 (6678)	2430 (5360)	2010 (4430)	1640 (3620)	1470 (3250)	1220 (2700)	1090 (2400)	910 (2010)
-1m (-3.3 ft)	kg (lb)	*2850 (6290)	*2850 (6290)	*3120 (6880)	*3120 (6880)	3040 (6720)	2400 (5300)	1970 (4340)	1600 (3540)	1450 (3190)	1200 (2640)	1170 (2590)	980 (2160)
-2m (-6.6 ft)	kg (lb)	*4400 (9700)	*4400 (9700)	*4960 (10950)	4840 (10690)	3060 (6760)	2420 (5340)	1970 (4340)	1600 (3540)	1450 (3190)	1200 (2640)	1380 (3050)	1140 (2530)

*Asterisk indicates load is limited by hydraulic capacity rather than tipping. Ratings are based on ISO standard No. 10567. Rated load capacity does not exceed 87% of hydraulic lift capacity or 75% of tipping load. Total weight of bucket and/or installed attachments must be deducted from the capacities shown above. Lift capacity chart is based on machine located on a solid, level and uniform surface. Load ratings are at the arm bucket pin location, use of any attachment point in a different location to handle objects could affect excavator lift performance.

SPECIFICATIONS



LIFTING CAPACITY WITH LIFTING MODE



- A: Reach from swing center
- B: Bucket hook height
- C: Lifting capacity
- Cf: Rating over front
- Cs: Rating over side
- ⊗: Rating at maximum reach

Arm: 2100mm (6'11") Bucketless (without cylinder and links) Shoe width: 450mm Rubber Belted Track Blade on ground

A \ B		1.5 m (4'11")		2.0 m (6'7")		3.0 m (10')		4.0 m (13'1")		5.0 m (16'5")		⊗ MAX	
		Cf	Cs	Cf	Cs	Cs	Cf	Cs	Cf	Cs	Cf	Cs	Cf
5m (16.4 ft)	kg (lb)									*1460 (3230)	1380 (3040)	*1530 (3370)	1300 (2880)
4m (13.1 ft)	kg (lb)									*1450 (3190)	1370 (3040)	*1620 (3580)	1070 (2360)
3m (9.8 ft)	kg (lb)									*1660 (3660)	1340 (2960)	*1630 (3610)	940 (2090)
2m (6.6 ft)	kg (lb)					*3110 (6870)	2720 (6010)	*2300 (5070)	1780 (3940)	*1990 (4390)	1290 (2850)	*1710 (3770)	880 (1950)
1m (3.3 ft)	kg (lb)					*4840 (10670)	2470 (5460)	*3060 (6740)	1670 (3690)	*2390 (5270)	1230 (2720)	*1860 (4100)	860 (1900)
GL	kg (lb)					*4230 (9340)	2360 (5200)	*3630 (8010)	1590 (3510)	*2710 (5980)	1180 (2620)	*2120 (4690)	880 (1940)
-1m (-3.3 ft)	kg (lb)	*2850 (6290)	*2850 (6290)	*3120 (6880)	*3120 (6880)	*5520 (12180)	2330 (5140)	*3890 (8590)	1550 (3430)	*2900 (6390)	1160 (2560)	*2390 (5270)	950 (2090)
-2m (-6.6 ft)	kg (lb)	*4400 (9700)	*4400 (9700)	*4960 (10950)	4700 (10370)	*5670 (12510)	2350 (5180)	*3840 (8480)	1550 (3430)	*2840 (6270)	1160 (2560)	*2680 (5900)	1110 (2450)

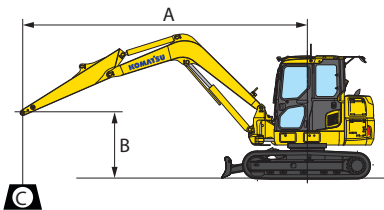
Arm: 2100mm (6'11") Bucketless (without cylinder and links) Shoe width: 450mm Rubber Belted Track Blade off ground

A \ B		1.5 m (4'11")		2.0 m (6'7")		3.0 m (10')		4.0 m (13'1")		5.0 m (16'5")		⊗ MAX	
		Cf	Cs	Cf	Cs	Cs	Cf	Cs	Cf	Cs	Cf	Cs	Cf
5m (16.4 ft)	kg (lb)									*1460 (3230)	1380 (3040)	*1530 (3370)	1300 (2880)
4m (13.1 ft)	kg (lb)									*1450 (3190)	1370 (3040)	1260 (2790)	1070 (2360)
3m (9.8 ft)	kg (lb)									1590 (3510)	1340 (2960)	1120 (2480)	940 (2090)
2m (6.6 ft)	kg (lb)					*3110 (6870)	2720 (6010)	2150 (4750)	1780 (3940)	1540 (3400)	1290 (2850)	1050 (2320)	880 (1950)
1m (3.3 ft)	kg (lb)					3110 (6870)	2470 (5460)	2030 (4490)	1670 (3690)	1480 (3260)	1230 (2720)	1030 (2270)	860 (1900)
GL	kg (lb)					2980 (6580)	2360 (5200)	1950 (4300)	1590 (3510)	1430 (3160)	1180 (2620)	1050 (2320)	880 (1940)
-1m (-3.3 ft)	kg (lb)	*2850 (6290)	*2850 (6290)	*3120 (6880)	*3120 (6880)	2950 (6510)	2330 (5140)	1910 (4210)	1550 (3430)	1400 (3090)	1160 (2560)	1140 (2510)	950 (2090)
-2m (-6.6 ft)	kg (lb)	*4400 (9700)	*4400 (9700)	*4960 (10950)	4700 (10370)	2970 (6550)	2350 (5180)	1910 (4210)	1550 (3430)	1400 (3090)	1160 (2560)	1340 (2950)	1110 (2450)

*Asterisk indicates load is limited by hydraulic capacity rather than tipping. Ratings are based on ISO standard No. 10567. Rated load capacity does not exceed 87% of hydraulic lift capacity or 75% of tipping load. Total weight of bucket and/or installed attachments must be deducted from the capacities shown above. Lift capacity chart is based on machine located on a solid, level and uniform surface. Load ratings are at the arm bucket pin location, use of any attachment point in a different location to handle objects could affect excavator lift performance.



LIFTING CAPACITY WITH LIFTING MODE



- A: Reach from swing center
- B: Bucket hook height
- C: Lifting capacity
- Cf: Rating over front
- Cs: Rating over side
- ⊗: Rating at maximum reach

Arm: 2100mm (6'11") Bucketless (without cylinder and links) Shoe width: 450 mm Triple grouser Blade on ground

A \ B		1.5 m (4'11")		2.0 m (6'7")		3.0 m (10')		4.0 m (13'1")		5.0 m (16'5")		⊗ MAX	
		Cf	Cs	Cf	Cs	Cs	Cf	Cs	Cf	Cs	Cf	Cs	Cf
5m (16.4 ft)	kg (lb)									*1460 (3230)	1390 (3070)	*1530 (3370)	1320 (2910)
4m (13.1 ft)	kg (lb)									*1450 (3190)	1390 (3070)	*1620 (3580)	1080 (2380)
3m (9.8 ft)	kg (lb)									*1660 (3660)	1350 (2990)	*1630 (3610)	960 (2110)
2m (6.6 ft)	kg (lb)					*3110 (6870)	2750 (6070)	*2300 (5070)	1800 (3980)	*1990 (4390)	1300 (2880)	*1710 (3770)	890 (1970)
1m (3.3 ft)	kg (lb)					*4840 (10670)	2500 (5520)	*3060 (6740)	1690 (3730)	*2390 (5270)	1250 (2750)	*1860 (4100)	870 (1930)
GL	kg (lb)					*4230 (9340)	2380 (5260)	*3630 (8010)	1610 (3550)	*2710 (5980)	1200 (2650)	*2120 (4690)	890 (1970)
-1m (-3.3 ft)	kg (lb)	*2850 (6290)	*2850 (6290)	*3120 (6880)	*3120 (6880)	*5520 (12180)	2360 (5200)	*3890 (8590)	1570 (3470)	*2900 (6390)	1170 (2590)	*2390 (5270)	960 (2110)
-2m (-6.6 ft)	kg (lb)	*4400 (9700)	*4400 (9700)	*4960 (10950)	4750 (10480)	*5670 (12510)	2370 (5240)	*3840 (8480)	1570 (3470)	*2840 (6270)	1170 (2590)	*2680 (5900)	1120 (2480)

Arm: 2100mm (6'11") Bucketless (without cylinder and links) Shoe width: 450 mm Triple grouser Blade off ground

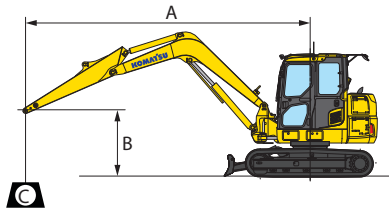
A \ B		1.5 m (4'11")		2.0 m (6'7")		3.0 m (10')		4.0 m (13'1")		5.0 m (16'5")		⊗ MAX	
		Cf	Cs	Cf	Cs	Cs	Cf	Cs	Cf	Cs	Cf	Cs	Cf
5m (16.4 ft)	kg (lb)									*1460 (3230)	1390 (3070)	*1530 (3370)	1320 (2910)
4m (13.1 ft)	kg (lb)									*1450 (3190)	1390 (3070)	1270 (2820)	1080 (2380)
3m (9.8 ft)	kg (lb)									1610 (3550)	1350 (2990)	1130 (2500)	960 (2110)
2m (6.6 ft)	kg (lb)					*3110 (6870)	2750 (6070)	2170 (4790)	1800 (3980)	1550 (3430)	1300 (2880)	1060 (2340)	890 (1970)
1m (3.3 ft)	kg (lb)					3140 (6930)	2500 (5520)	2050 (4530)	1690 (3730)	1490 (3300)	1250 (2750)	1040 (2290)	870 (1930)
GL	kg (lb)					3010 (6640)	2380 (5260)	1970 (4340)	1610 (3550)	1440 (3190)	1200 (2650)	1060 (2350)	890 (1970)
-1m (-3.3 ft)	kg (lb)	*2850 (6290)	*2850 (6290)	*3120 (6880)	*3120 (6880)	2980 (6580)	2360 (5200)	1930 (4250)	1570 (3470)	1420 (3130)	1170 (2590)	1150 (2540)	960 (2110)
-2m (-6.6 ft)	kg (lb)	*4400 (9700)	*4400 (9700)	*4960 (10950)	4750 (10480)	3000 (6620)	2370 (5240)	1930 (4250)	1570 (3470)	1420 (3130)	1170 (2590)	1350 (2980)	1120 (2480)

*Asterisk indicates load is limited by hydraulic capacity rather than tipping. Ratings are based on ISO standard No. 10567. Rated load capacity does not exceed 87% of hydraulic lift capacity or 75% of tipping load. Total weight of bucket and/or installed attachments must be deducted from the capacities shown above. Lift capacity chart is based on machine located on a solid, level and uniform surface. Load ratings are at the arm bucket pin location, use of any attachment point in a different location to handle objects could affect excavator lift performance.

SPECIFICATIONS



LIFTING CAPACITY WITH LIFTING MODE



- A: Reach from swing center
- B: Bucket hook height
- C: Lifting capacity
- Cf: Rating over front
- Cs: Rating over side
- ⊗: Rating at maximum reach

Arm: 2100mm (6'11") Bucketless (without cylinder and links) Shoe width: 600 mm Triple grouser Blade on ground

A \ B		1.5 m (4'11")		2.0 m (6'7")		3.0 m (10')		4.0 m (13'1")		5.0 m (16'5")		⊗ MAX	
		Cf	Cs	Cf	Cs	Cs	Cf	Cs	Cf	Cs	Cf	Cs	Cf
5m (16.4 ft)	kg (lb)									*1460 (3230)	1420 (3140)	*1530 (3370)	1350 (2970)
4m (13.1 ft)	kg (lb)									*1450 (3190)	1420 (3130)	*1620 (3580)	1100 (2440)
3m (9.8 ft)	kg (lb)									*1660 (3660)	1380 (3050)	*1630 (3610)	980 (2160)
2m (6.6 ft)	kg (lb)					*3110 (6870)	2810 (6200)	*2300 (5070)	1840 (4060)	*1990 (4390)	1330 (2940)	*1710 (3770)	910 (2020)
1m (3.3 ft)	kg (lb)					*4840 (10670)	2560 (5650)	*3060 (6740)	1730 (3810)	*2390 (5270)	1270 (2820)	*1860 (4100)	890 (1970)
GL	kg (lb)					*4230 (9340)	2440 (5390)	*3630 (8010)	1650 (3640)	*2710 (5980)	1230 (2710)	*2120 (4690)	910 (2010)
-1m (-3.3 ft)	kg (lb)	*2850 (6290)	*2850 (6290)	*3120 (6880)	*3120 (6880)	*5520 (12180)	2410 (5330)	*3890 (8590)	1610 (3560)	*2900 (6390)	1200 (2650)	*2390 (5270)	980 (2170)
-2m (-6.6 ft)	kg (lb)	*4400 (9700)	*4400 (9700)	*4960 (10950)	4860 (10730)	*5670 (12510)	2430 (5360)	*3840 (8480)	1610 (3550)	*2840 (6270)	1200 (2650)	*2680 (5900)	1150 (2540)

Arm: 2100mm (6'11") Bucketless (without cylinder and links) Shoe width: 600 mm Triple grouser Blade off ground

A \ B		1.5 m (4'11")		2.0 m (6'7")		3.0 m (10')		4.0 m (13'1")		5.0 m (16'5")		⊗ MAX	
		Cf	Cs	Cf	Cs	Cs	Cf	Cs	Cf	Cs	Cf	Cs	Cf
5m (16.4 ft)	kg (lb)									*1460 (3230)	1420 (3140)	*1530 (3370)	1350 (2970)
4m (13.1 ft)	kg (lb)									*1450 (3190)	1420 (3130)	1300 (2880)	1100 (2440)
3m (9.8 ft)	kg (lb)									1640 (3630)	1380 (3050)	1160 (2560)	980 (2160)
2m (6.6 ft)	kg (lb)					*3110 (6870)	2810 (6200)	2220 (4900)	1840 (4060)	1590 (3510)	1330 (2940)	1090 (2400)	910 (2020)
1m (3.3 ft)	kg (lb)					3220 (7100)	2560 (5650)	2100 (4640)	1730 (3810)	1530 (3380)	1270 (2820)	1060 (2350)	890 (1970)
GL	kg (lb)					3090 (6810)	2440 (5390)	2020 (4450)	1650 (3640)	1480 (3270)	1230 (2710)	1090 (2410)	910 (2010)
-1m (-3.3 ft)	kg (lb)	*2850 (6290)	*2850 (6290)	*3120 (6880)	*3120 (6880)	3060 (6740)	2410 (5330)	1980 (4360)	1610 (3560)	1450 (3210)	1200 (2650)	1180 (2600)	980 (2170)
-2m (-6.6 ft)	kg (lb)	*4400 (9700)	*4400 (9700)	*4960 (10950)	4860 (10730)	3080 (6790)	2430 (5360)	1970 (4360)	1610 (3550)	1450 (3210)	1200 (2650)	1380 (3060)	1150 (2540)

*Asterisk indicates load is limited by hydraulic capacity rather than tipping. Ratings are based on ISO standard No. 10567. Rated load capacity does not exceed 87% of hydraulic lift capacity or 75% of tipping load. Total weight of bucket and/or installed attachments must be deducted from the capacities shown above. Lift capacity chart is based on machine located on a solid, level and uniform surface. Load ratings are at the arm bucket pin location, use of any attachment point in a different location to handle objects could affect excavator lift performance.

EQUIPMENT



STANDARD EQUIPMENT

ENGINE:

- Komatsu SAA3D95E-1
- Auto deceleration
- Air cleaner, double element with auto dust evacuator
- B20 Biodiesel compatible*
- Cooling system viscous fan clutch, suction type
- Cooling system with expansion tank
- Engine oil-pan drain valve
- Fixed turbocharger
- Komatsu Diesel Oxidation Catalyst (KDOC)

ELECTRICAL SYSTEM:

- Alternator, 24 V/60 A
- Batteries, 2 x 12 V/55 Ah
- Battery disconnect switch
- Lock out/tag out provisioned
- Starting motor 24 V/4.5 kW

GUARDS AND COVERS:

- Fan guard
- Pump/engine partition cover
- Diesel ground level fuel fill and hydraulic tank fill cap are under lockable side covers
- Car body swivel guards

OPERATOR ENVIRONMENT:

- 12 V x 2 power supply
- Attachment flow switching through monitor
- Auto climate control
- Auto idle shutdown
- Cab includes: antenna, multifunction audio with USB and Bluetooth wireless technology, floormat, intermittent front windshield wiper and washer, large ceiling hatch, pull-up front window, removable lower windshield
- Handrails
- Komtrax 5.0 (cellular 4G system)
- LED working light on boom
- LED working light on cab
- Lock lever auto lock function
- Monitor panel
- Operator identification function
- Rearview mirrors (LH, rear)
- Rearview monitoring system
- ROPS cab (ISO 12117-2)
- Seat belt, 78 mm **3.1"**
- Suspension seat
- Swing holding brake
- Travel alarm
- Travel Hi/Lo switch on blade control lever

HYDRAULIC SYSTEM:

- Dual stage relief valve
- Proportional Pilot Joystick Control
- Hydraulic control unit-1 additional actuator
- One-way/two-way auxiliary hydraulic flow
- Operation pattern change-over valve (two-way, ISO/BH)
- One-variable piston pump and one gear pump
- Auxiliary circuit return filter and accumulator
- Automatic swing brake
- Automatic load sensing two speed travel

WORK EQUIPMENT:

- Blade 2330 mm **7'7"** (welded cutting edge type)
- Counterweight, 805 kg **1,775 lbs.**

UNDERCARRIAGE:

- Triple grouser shoe, 450 mm **18"**

*Up to 20% blended biodiesel fuel and paraffine fuel can be used. Please consult your Komatsu distributor for detail.



OPTIONAL EQUIPMENT

GUARDS AND COVERS:

- Bolt-on top guard (operator protective guards level 2)
- Cab front guard
 - Full height front window mesh guard (Level 1)

WORK EQUIPMENT:

- Boom,
 - 3405 mm **11'2"** swing type
- Arm,
 - 2100 mm **6'11"** arm assembly with provision for hydraulic thumb
- Blade,
 - 2470 mm **8' 1"** wide blade (requires 600 mm **24"** shoes)

UNDERCARRIAGE:

- Shoes:
 - 450 mm **18"** Road Liner shoes
 - 600 mm **24"** Triple grouser shoes
- Rubber belt track:
 - 450 mm **18"**



ATTACHMENT OPTIONS

- Buckets
- Couplers
- Thumbs
- Breakers

For a complete list of available attachments, please contact your local Komatsu distributor.

KOMATSU[®]

Note: All comparisons and claims of improved performance made herein are made with respect to the prior Komatsu model unless otherwise specifically stated.